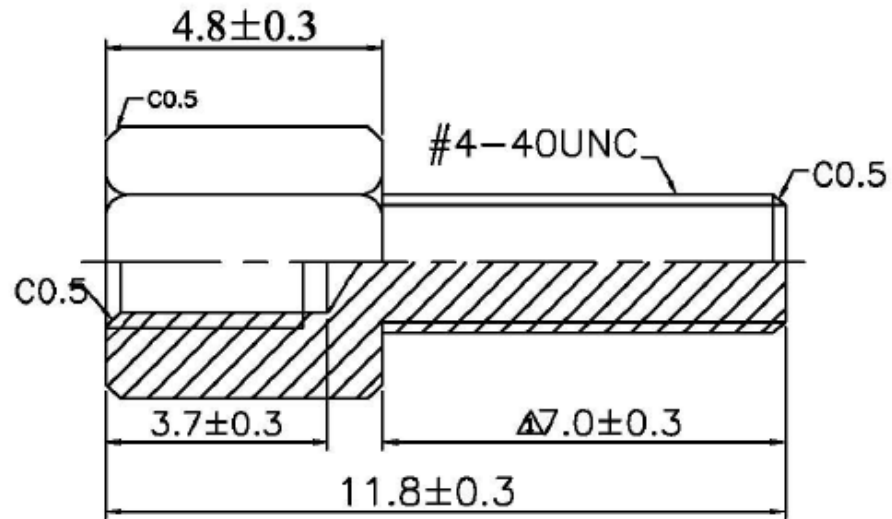
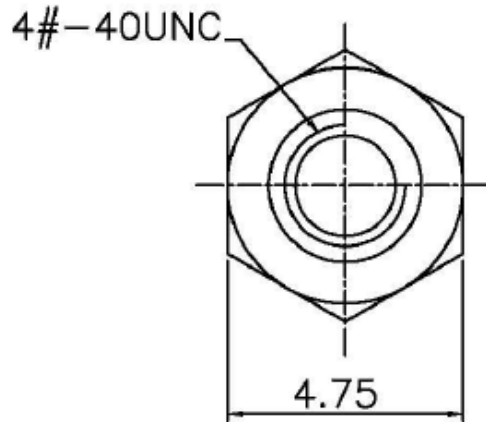


SPECIFICATION

Material: Brass, Nickel Plated
RoHS Compliant



RoHS Compliant

TOLERANCES ARE

MORETHANALL
PCB CONNECTORS
Cable ASSEMBLIES

煜倫股份有限公司

www.morethanall.com

DRAWING BY CY

CHECKED BY GENIUS

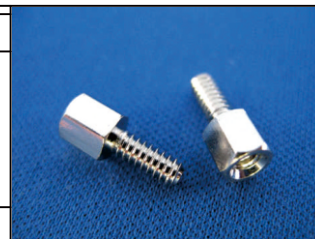
UNIT/ mm SCALE 1:1

DATE

SIZE A4

X. ±
.X ±
.XX ±
.XXX ±
ANG ±

PROJECTION



ORDER INFORMATION

HS-12-LF
SERIES LEADFREE
11.8mm LONG

DESCRIPTION: