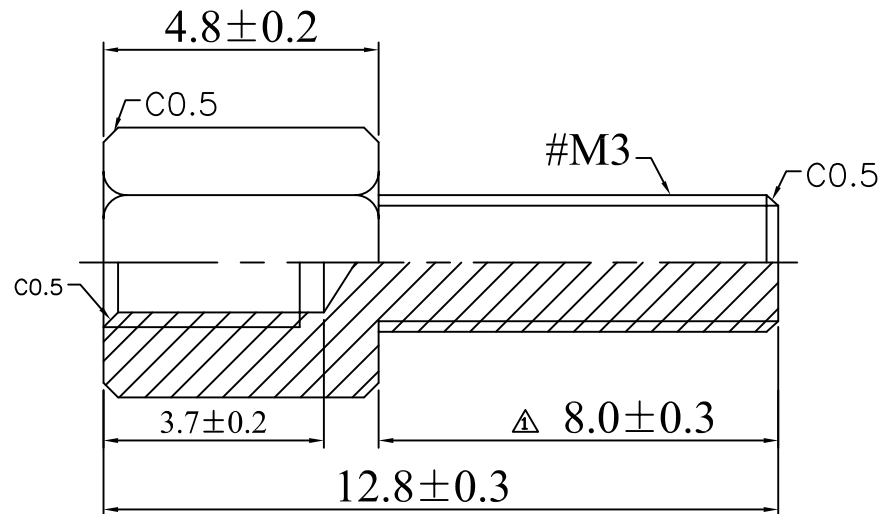
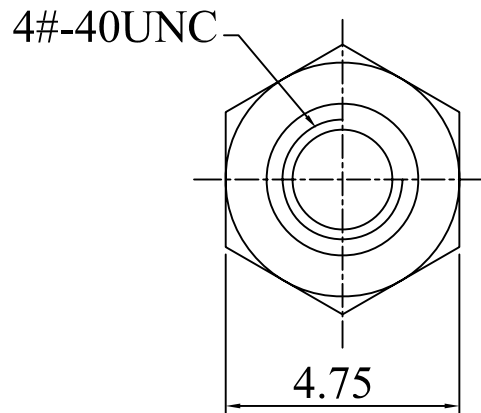


SPECIFICATION

Material: Brass, Nickel Plated
RoHS Compliant



RoHS Compliant

TOLERANCES ARE

MORETHANALL
PCB CONNECTORS
Cable ASSEMBLIES

煜倫股份有限公司

www.morethanall.com

DRAWING BY CY

CHECKED BY GENIUS

UNIT / mm

SCALE 1 : 1

DATE

SIZE A4

PPOJECTION

X. ±
.X ±
.XX ±
.XXX ±
ANG ±

照片框

ORDER INFORMATION

HS-12-U4M3-LF
SERIES | LEADFREE
#4-40+#M3
12.8mm LONG

DESCRIPTION: R4.75x12.8 內4-40 外M3