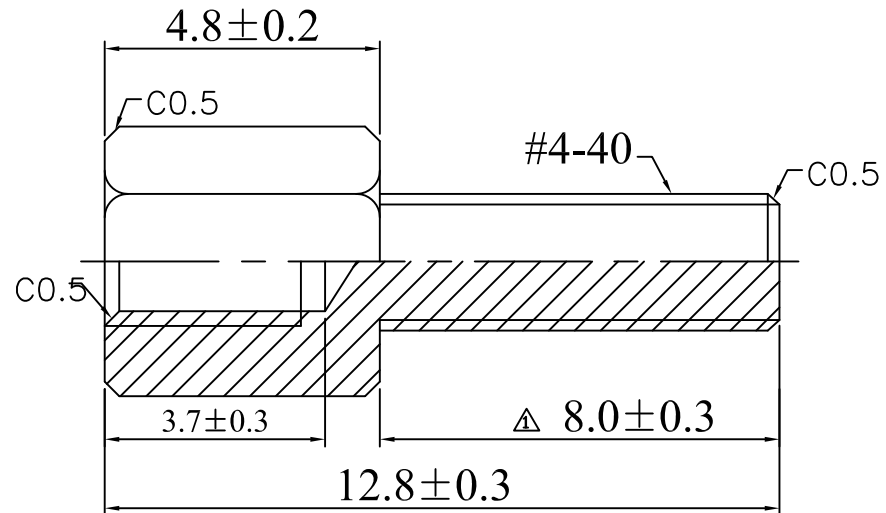
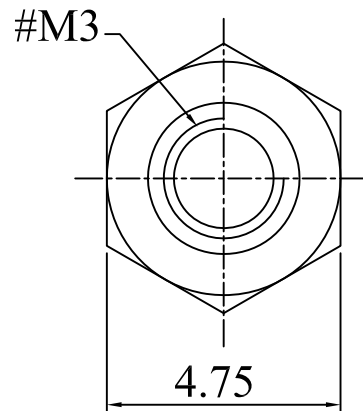


SPECIFICATION

Material: BRASS, Nickel Plated
RoHS Compliant



RoHS Compliant

TOLERANCES ARE

MORETHANALL
PCB CONNECTORS
Cable ASSEMBLIES

煜倫股份有限公司

www.morethanall.com

DRAWING BY CY

CHECKED BY GENIUS

UNIT / mm

SCALE 1:1

DATE

SIZE A4

X. ±

.X ±

.XX ±

.XXX ±

ANG ±

PPOJECTION

照片框

ORDER INFORMATION

HS-12-M3U4-LF
SERIES | LEADFREE
#M3+#4-40
12.8mm LONG

DESCRIPTION: R4.75x12.8 (4.8+8.0)