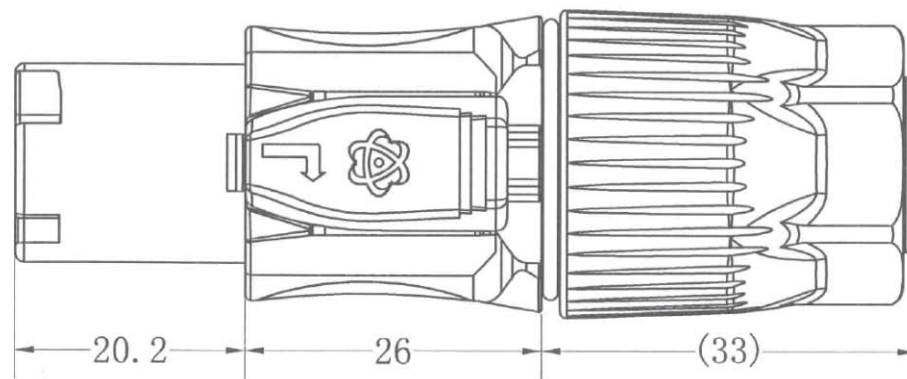


印字颜色为: 白色

印字字体: Times.New.Roman

12	尾套(BOOT)	SVP592FA-BL-GY外包件		1
11	螺套(CAP)			1
10	防水圈(WATERPROOF)	硅胶	两款规格: 适用 $\phi$ 12- $\phi$ 15线径	1
9	夹线爪(CHUCK)	PA6	白色(WH)	1
8	O型圈(O TYPE RING)	硅胶	$\phi$ 20X2白色(WH)	1
7	塑壳(PLASTIC SHELL)	PA	蓝色(BLUE)	1
6	弹片(SPRING)	H62	镀锡(TIN)	3
5	螺丝(BOLT)	A3	镀黑(BLACK)	3
4	按键(PUSH BUTTON)	ZZnAL4-1	镀镍(NICKEL)	1
3	弹簧(SPRING)	70#	$\phi$ 2.4*9.5	1
2	铜插针(BRASS PIN)	H59-1	镀银(SILVER)	3
1	本体(BODY)	PA	蓝色(BLUE)	1
NO.	DESCRIPTION	MATERIAL	FINISH	Q'TY



RoHS Compliant

TOLERANCES ARE

**MORETHANALL**  
PCB CONNECTORS  
Cable ASSEMBLIES

DRAWING BY CY

CHECKED BY GENIUS

UNIT / mm SCALE 1 : 1

DATE

SIZE A4

X,  $\pm$   
.X,  $\pm$   
.XX,  $\pm$   
.XXX,  $\pm$   
ANG,  $\pm$

PPOJECTION

照片框

ORDER INFORMATION

HPP-ABL-03-LF  
SERIES | LEADFREE  
| 03 WAY  
BLUE  
ASSEMBLY

DESCRIPTION:

煜倫股份有限公司

www.morethanall.com