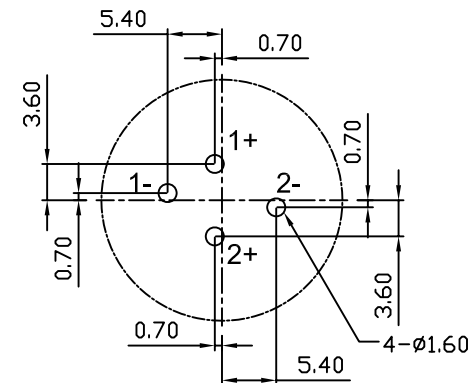


PANEL CUTOUT
REAR SIDE(±0.1)



P.C.B LAYOUT(±0.1)

5	SPRING RING	1	RUBBER		BLACK
4	COVER	1	PA66/GF30%-94HB		BLACK
3	HOUSING	1	PA66/GF30%-94HB		BLACK
2	CONTACTS	4	P.B.S	SILVER	
1	EARTH TERMINAL	1	SK7△	NICKEL	
NO	PART NAME	Q'TY	MATERIAL	PLATED	REMARK

RoHS Compliant

TOLERANCES ARE

MORETHANALL
PCB CONNECTORS
Cable ASSEMBLIES

煜倫股份有限公司

www.morethanall.com

DRAWING BY CY

CHECKED BY GENIUS

UNIT / mm SCALE 1 : 1

DATE

SIZE A4

X, ±
.X ±
.XX ±
.XXX ±
ANG ±

PPOJECTION



ORDER INFORMATION

HPJ-DPQ-04-LF
SERIES | | | LEADFREE
| | | 04 WAY
| | | SQUARE
PANEL
DIP 180°

DESCRIPTION: HIGH POWER 4 PIN CONNECTOR