

SPECIFICATIONS

ELECTRICAL CHARACTERISTICS:

Contact Current Rating:1 Amperes.
 Dielectric Withstanding Voltage: AC 500/60sec.r.m.s.
 Insulation Resistance:1000 Medohms Minimum
 Contact Resistance:35 Milliohms Maximum.
 Operating Temperature:-55°C to +85°C.

MECHANICAL CHARACTERISTICS:

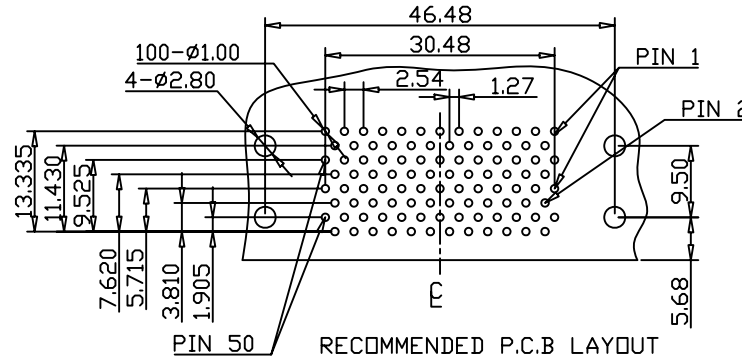
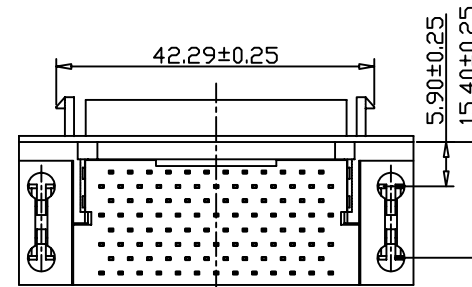
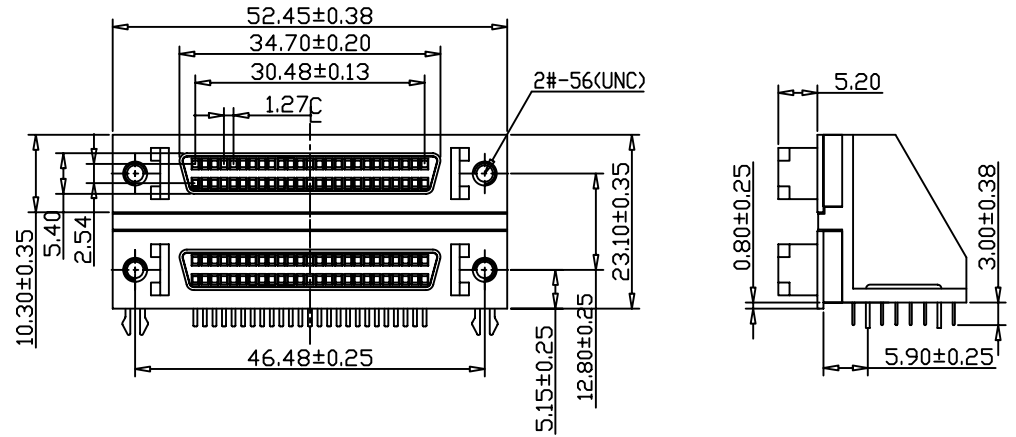
Contact Engagement Force: 141.8g.Maximum.
 Contact Separation Force: 17g.Minimum.

MATERIALS:

Contacts:Brass.
 Insulator: PBT UL 94V-0 Rated.
 Bracket:Zinc Alloy,Grade 3
 Metal Clip:Brass.

FINISHES:

Contact:Gold Flash.
 Bracket:Nickel Plated



PART NO. HPDB1-SRL-050

DWG NO. HPDB1-SRL-050

FILE NO.

UNIT / mm

SCALE 1:1

CHECKED BY CY

DRAWING BY

PROJECTION

TOLERANCES ARE

.X±0.2
.XX±
.XXX±
AWG

DESCRIP TION: SCSI II PIN TYPE RIGHT ANGLE DUAL PORT

AREA

REVISIONS

HK

DATE

煜倫股份有限公司