

**FEATURES:**

- Round cable angled exit 70°
- Strain relief staple with spring latches
- Backshell desing by Die-Cast
- Excellent EMI/RFI protection

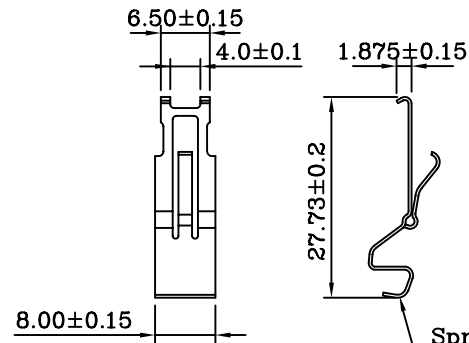
**MATERIALS:**

- Backshell: Zinc plated nickel over copper
- Spring latches: Phosphor Bronze over Nickel
- Screw: steel nickel plated over copper
- Cable Clipper: steel nickel plated

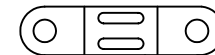
HPD-WA-068-LF

LEADFREE

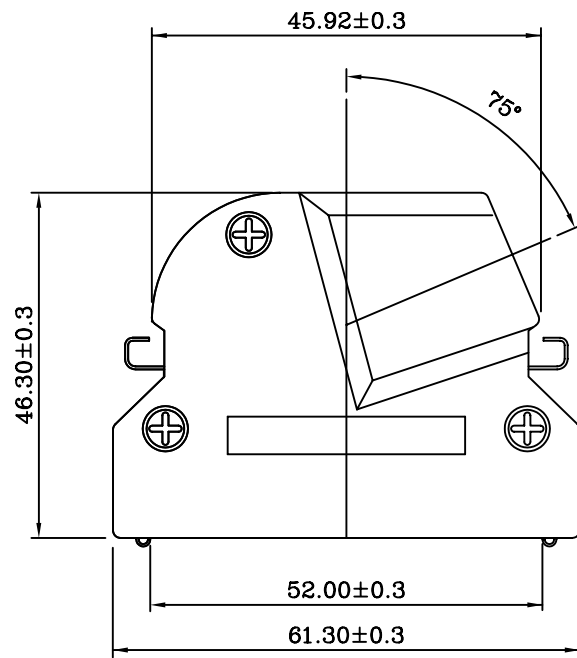
**RoHS Compliant**



Spring Latches  
(2 Places)



Cable Clipper



Backshell-1

Flat Screw  
M2.6\*6  
(3 Places)

Backshell-2

Flat Screw  
M2.6\*8  
(2 Place)

15.40±0.3

Exit

10.70±0.3



PART NO. **HPD-WA-068**

DWG NO. **HPD-WA-068**

CHECKED BY CY

TOLERANCES ARE

DESCRIP TION:

1.27mm(.050") Series 68P Hood  
Shielded Die-Cast With  
Spring Latches

FILE NO.

DRAWING BY

.X ± 0.2  
.XX ±  
.XXX ±  
AWG

AREA

REVISIONS

HK

DATE

焯倫股份有限公司

UNIT / mm

SCALE 1:1

PROJECTION

