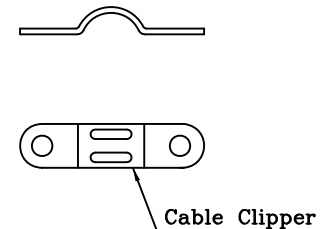
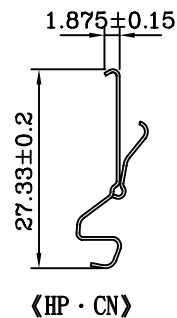
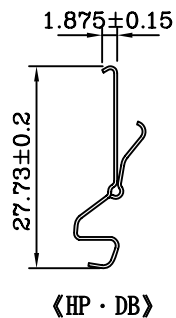
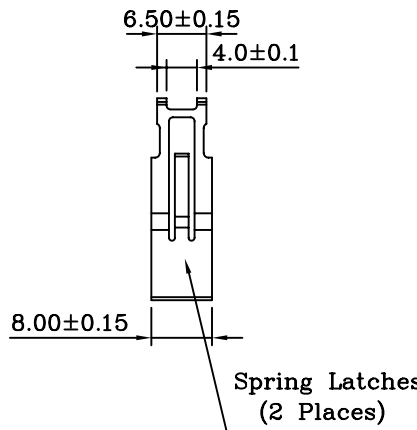


**FEATURES:**

- Round cable angled exit 67°
- Strain relief staple with spring latches
- Assembly Hood: Die-Cast
- Excellent EMI/RFI protection

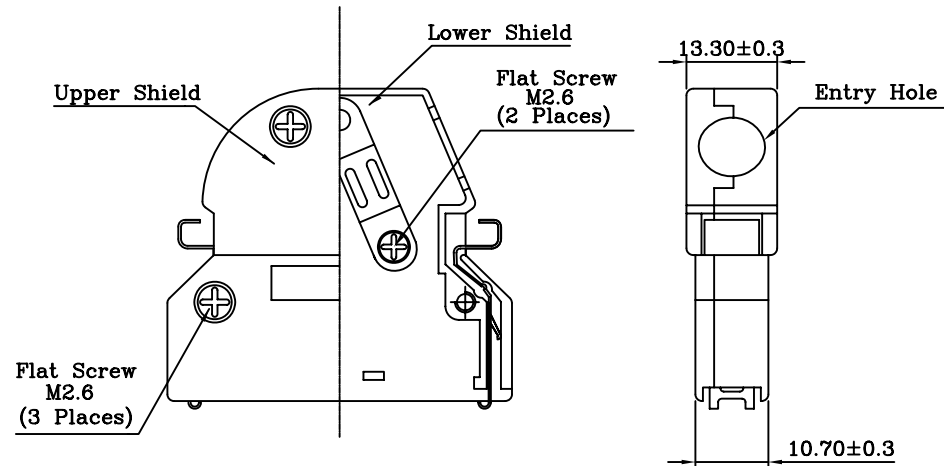
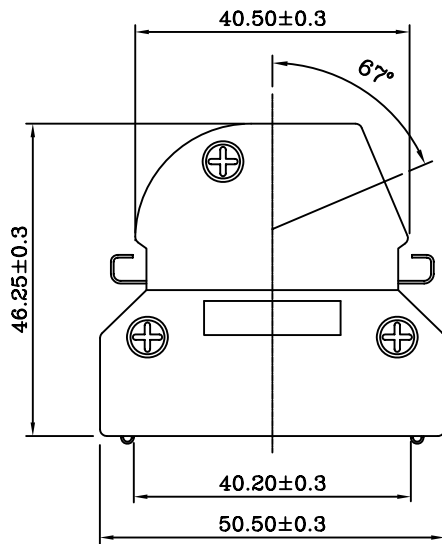
**MATERIALS:(RoHS Compliant)**

- Backshell: Zinc plated nickel over copper
- Spring latches: Phosphor Bronze over Nickel
- Screw: steel nickel plated over copper
- Cable Clipper: steel nickel plated
- RoHS compliant



HPD-WA-050-LF  
LEADFREE

RoHS Compliant



PART NO. HPD-WA-050

DWG NO. HPD-WA-050

CHECKED BY CY

TOLERANCES ARE

DESCRIP TION:

1.27mm(.050") Series Shielded Backshell Kits 50 Pin Angled Exit With Spring Latches

煜倫股份有限公司

FILE NO.

DRAWING BY

.X ± 0.2  
.XX ± 0.1  
.XXX ±  
AWG

AREA

REVISIONS

HK

DATE

UNIT / mm

SCALE 1:1

PROJECTION