

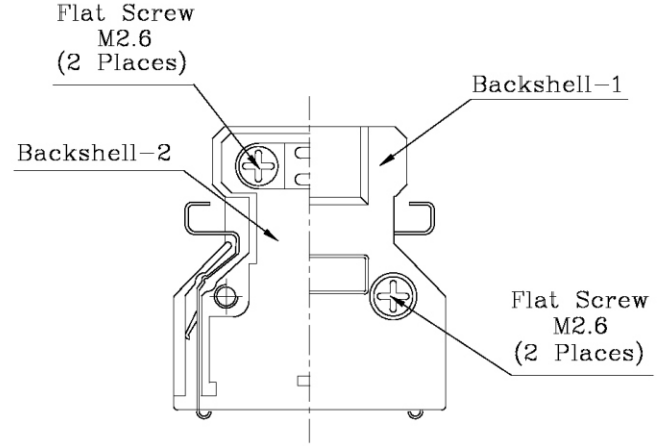
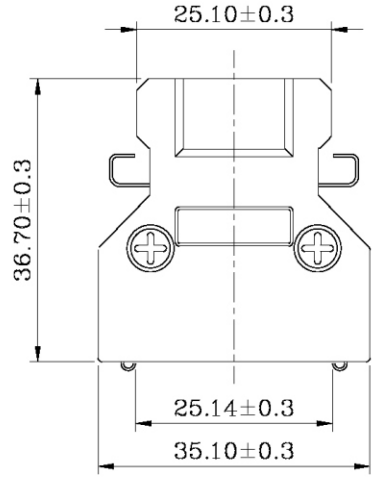
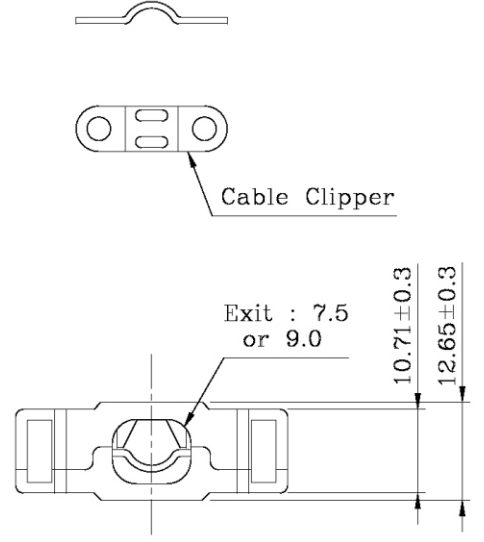
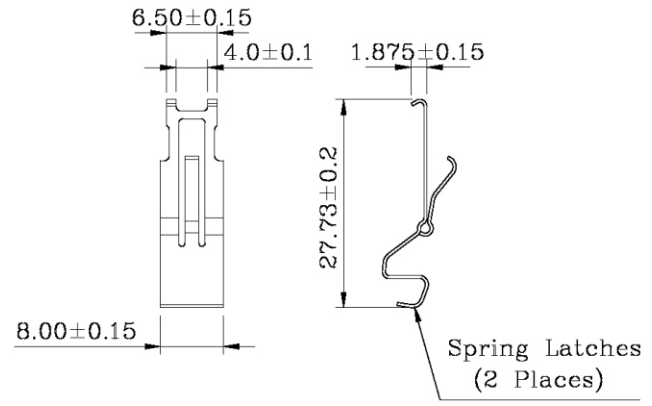
FEATURES:

- Round cable straight exit
- Strain relief staple with spring latches
- Backshell desing by Die-Cast
- Excellent EMI/RFI protection

MATERIALS:

- Backshell: Zinc plated nickel over copper
- Spring latches: Phosphor Bronze over Nickel
- Flat Screw: steel nickel plated over copper
- Cable Clipper: steel nickel plated

HPD-W-026-LF
LEADFREE
RoHS Compliant



PART NO. **HPD-W-026**

DWG NO. **HPD-W-026**

CHECKED BY CY

TOLERANCES ARE

DESCRIP TION:

FILE NO.

DRAWING BY

.X ± 0.2
 .XX ±
 .XXX ±
 AWG

AREA	REVISIONS	HK	DATE
------	-----------	----	------

UNIT / mm

SCALE 1:1

PROJECTION

焜倫股份有限公司