

FEATURES:

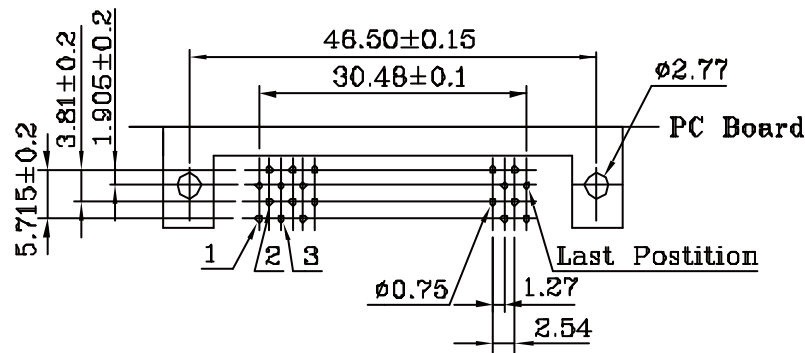
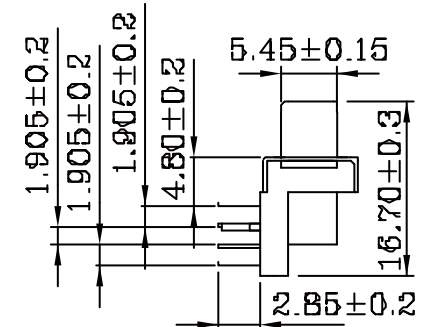
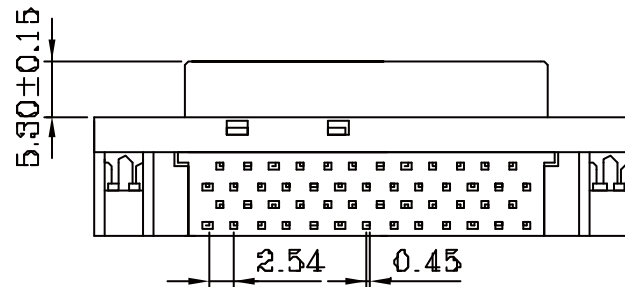
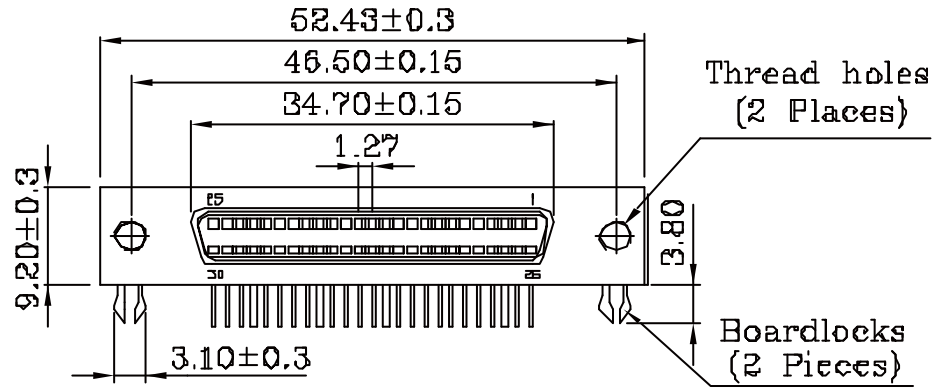
- Half pitch 1.27mm(.050") series
- D-SUB type right angle dip mount connector
- Bracket with latch block and without latch block
- Steel body provide EMI/RFI shielded

MATERIALS:

- Housing and cover: Plastic thermoplastic P.B.T UL94V-0 black
- Contact: Phosphor bronze or brass gold selective plated
- Shell: Steel, nickel plated over copper
- Bracket: Steel, nickel plated over copper
- Boardlock: Brass, tin plated copper

ELECTRICAL:

- Current Rating: 1 Amp
- Insulation Resistance: 500MΩ/Min
- Withstanding Voltage: 500V AC/Min
- Contact Resistance: 35mΩ Max
- Temperature Range: -55°C ~ +105°C



PC Board Mounting Dimensions

RoHS Compliant

TOLERANCES ARE

MORETHANALL
PCB CONNECTORS
Cable ASSEMBLIES

DRAWING BY CY

CHECKED BY GENIUS

UNIT / mm SCALE 1 : 1

DATE

SIZE A4

X. ±
.X ±
.XX ±
.XXX ±
ANG ±

PPOJECTION

照片框

ORDER INFORMATION

HPD-SRX-050-LF
SERIES | LEADFREE
| 050 WAY
| NON LOCK
| DIP 90°
FEMALE

DESCRIPTION: 1.27mm(.050") Pitch D-SUB 50P Female Connector Right Angle Dip Mount Type

煜倫股份有限公司

www.morethanall.com