

• MATERIALS:(RoHS Compliant)

Housing And Cover: Plastic Thermoplastic  
P.B.T UL94V-0 Black

Contacts: Phosphor Bronze Gold  
Selective Plated

Front Shell: Steel Nickel Plated  
Over Copper

Bracket: Steel Nickel Plated  
Over Copper

Boardlock: Brass Tin Plated  
Over Copper

• ELECTRICAL CHARACTERISTICS:

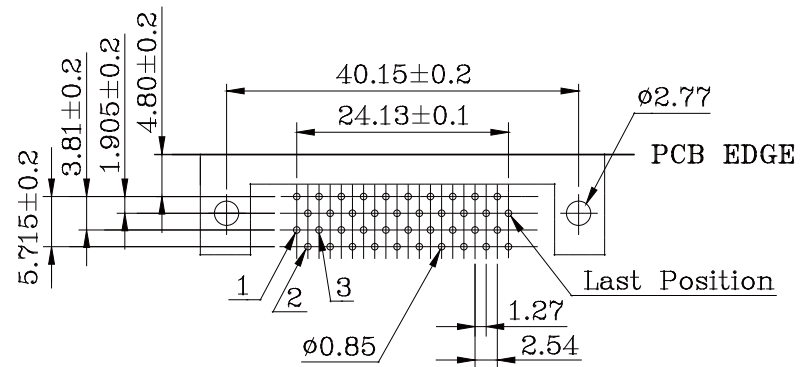
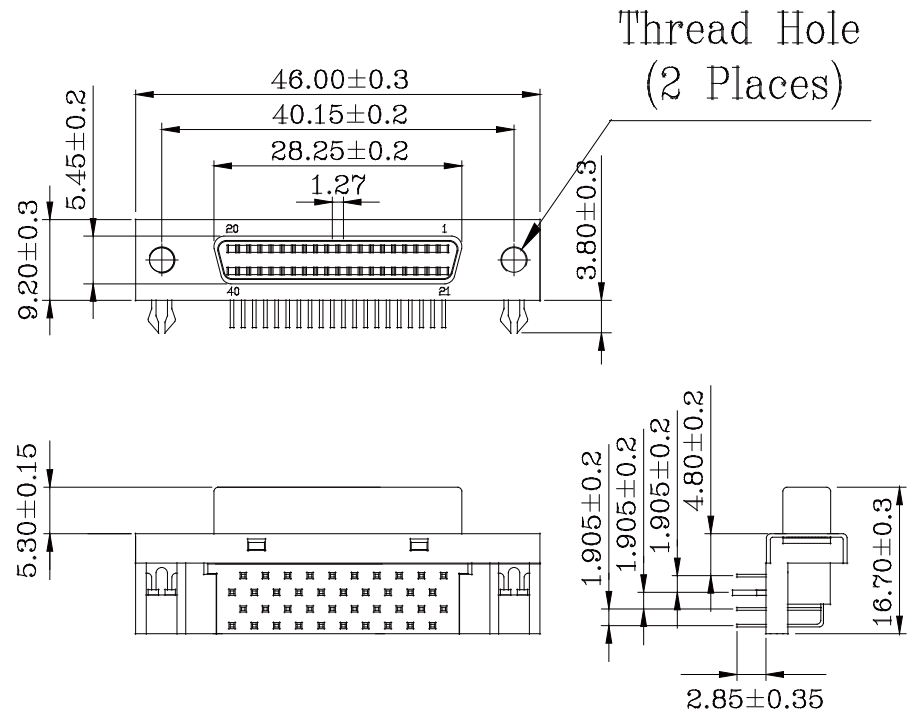
Contact Current Rating: 1 Amp

Dielectric Withstanding Voltage: 500V AC

Insulation Resistance: >500MΩ/Min

Contact Resistance: 35mΩ/Max

Operation Temperature: -55°C ~ +105°C



**MORETHANALL**  
PCB CONNECTORS  
Cable ASSEMBLIES

煜倫股份有限公司

www.morethanall.com

RoHS Compliant

TOLERANCES ARE

DRAWING BY CY

X.±

CHECKED BY GENIUS

.X±

UNIT / mm

SCALE 1:1

.XXX±

DATE

ANG±

SIZE A4

PJECTION

照片框

ORDER INFORMATION

HPD-SRX-040-LF  
SERIES LEADFREE  
40 WAY  
NON LOCK  
DIP 90°  
FEMALE

DESCRIPTION: 1.27mm (.050") Pin Type 40Pos Receptacles  
Headers Right-Angle Mount Type