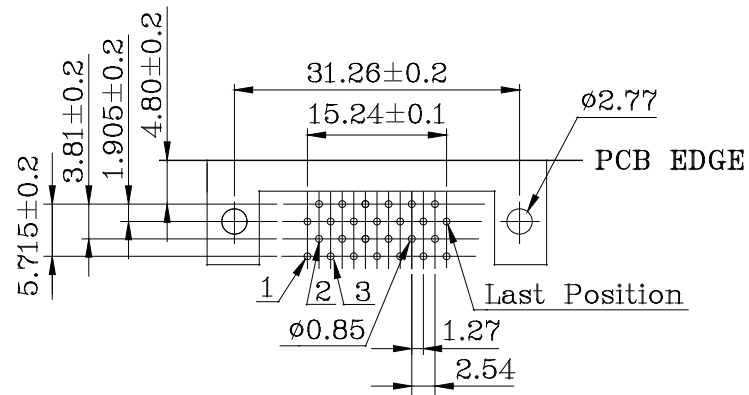
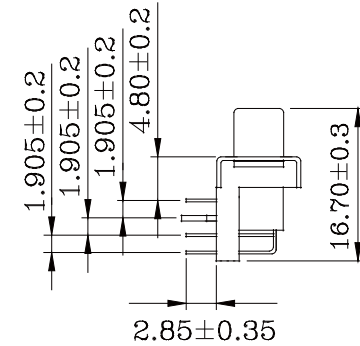
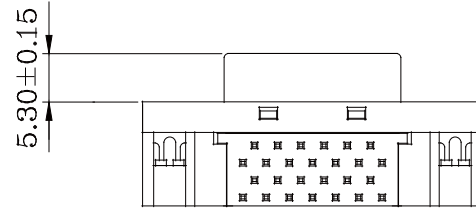
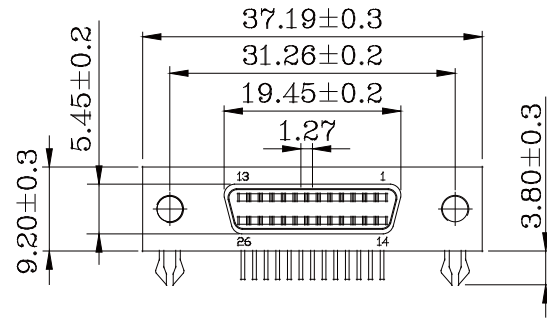


• **MATERIALS:(RoHS Compliant)**

- Housing And Cover: Plastic Thermoplastic
P.B.T UL94V-0 Black
- Contacts: Phosphor Bronze Gold
Selective Plated
- Front Shell: Steel Nickel Plated
Over Copper
- Bracket: Steel Nickel Plated
Over Copper
- Boardlock: Brass Tin Plated
Over Copper

• **ELECTRICAL CHARACTERISTICS:**

- Contact Current Rating: 1 Amp
- Dielectric Withstanding Voltage: 500V AC
- Insulation Resistance: >500MΩ/Min
- Contact Resistance: 35mΩ/Max
- Operation Temperature: -55°C ~ +105°C



PCB Layout (A)

RoHS Compliant

TOLERANCES ARE

MORETHANALL
PCB CONNECTORS
Cable ASSEMBLIES

煜倫股份有限公司

www.morethanall.com

DRAWING BY CY

CHECKED BY GENIUS

UNIT / mm

SCALE 1 : 1

DATE

SIZE A4

PPOJECTION

X.±
.X±
.XX±
.XXX±
ANG ±

照片框

ORDER INFORMATION

HPD-SRX-026-LF
SERIES | LEADFREE
| 26 WAY
| NON LOCK
| DIP 90°
FEMALE

DESCRIPTION: 1.27mm (.050") Pin Type 26Pos Receptacles Headers Right-Angle Mount Type