

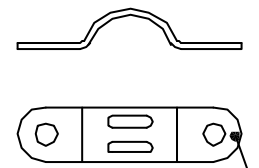
1 2 3 4 5 6 7 8 9 0

FEATURES:

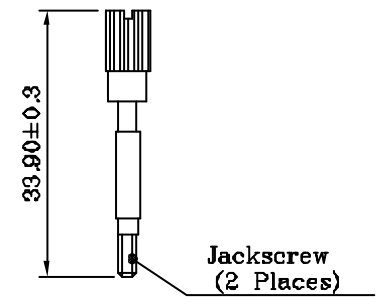
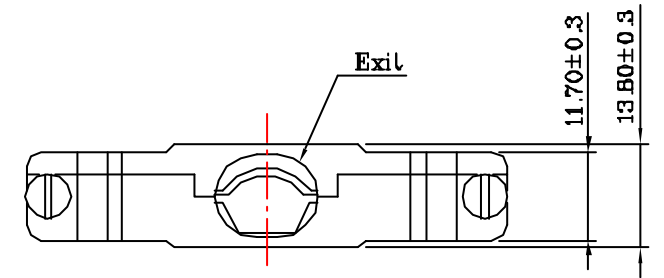
- Round cable straight exit
- Strain Relief Staple With Jackscrew
- Back shell desing by Die-Cast
- Excellent EMI/RFI protection

MATERIALS:

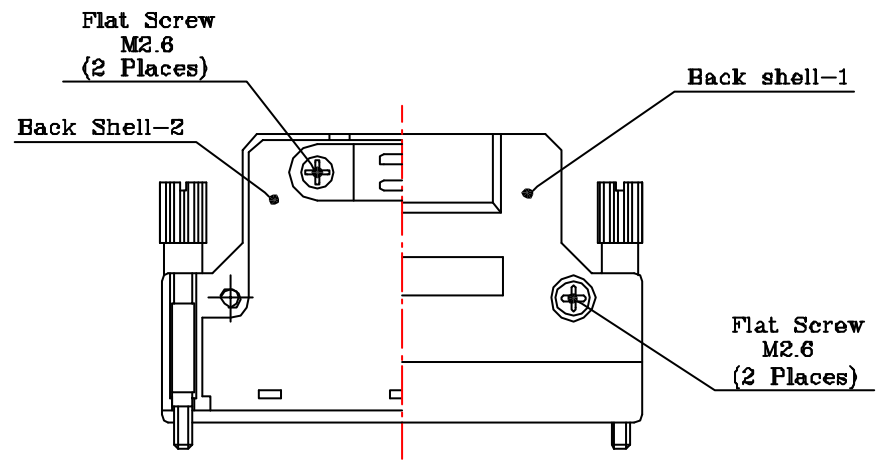
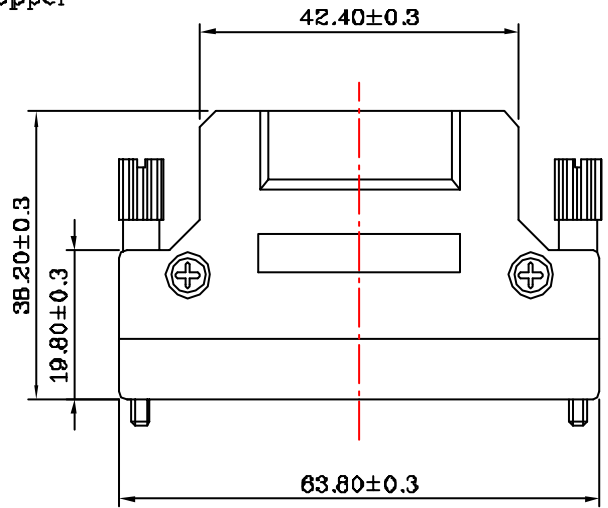
- Back Shell: Zinc plated nickel over copper
- Jackscrews: steel nickel plated over copper
- Screw: steel nickel plated over copper
- Cable Clipper: steel nickel plated



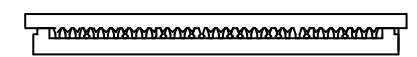
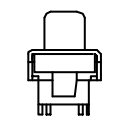
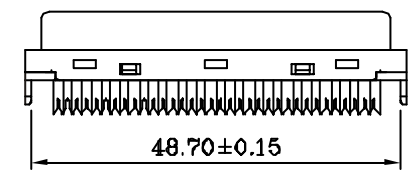
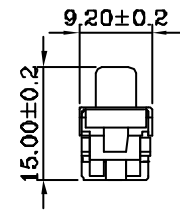
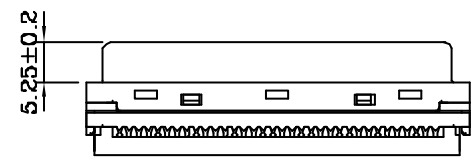
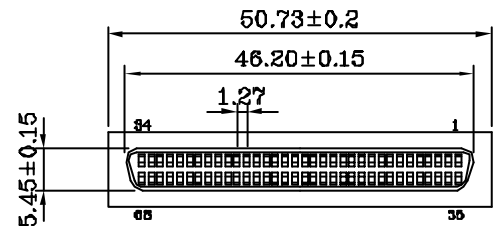
Cable Clipper



Jackscrew
(2 Places)



HPD-SFM-068-LF
LEADFREE
RoHS Compliant



MORETHANALL
CONNECTORS
ASSEMBLIES

PART NO. HPD-SFM-068

DWG NO. HPD-SFM-068

CHECKED BY CY

TOLERANCES ARE

FILE NO.

DRAWING BY

.X ± 0.2
.XX ± 0.1
.XXX ±
AWG

DESCRIP TION:

煜倫股份有限公司

UNIT / mm

SCALE 1:1

PROJECTION

AREA

REVISIONS

HK

DATE