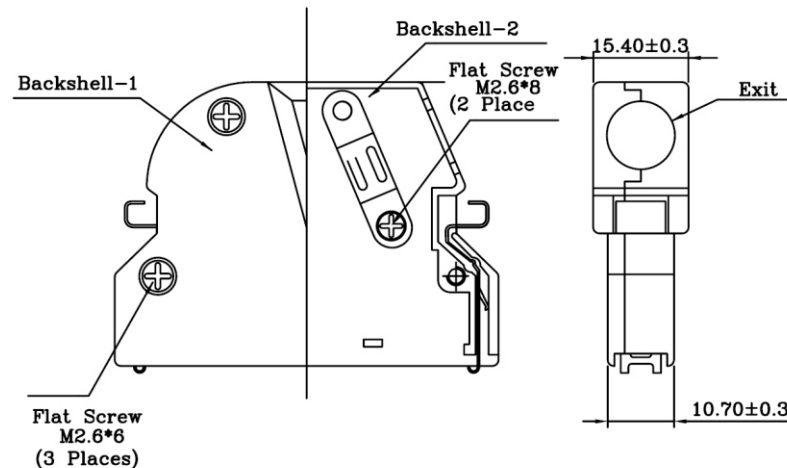
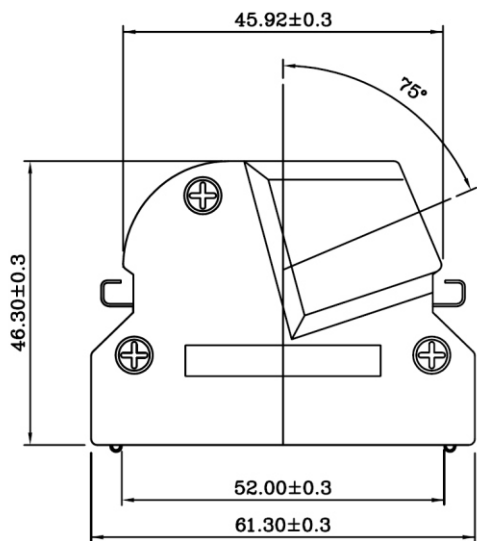
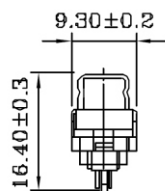
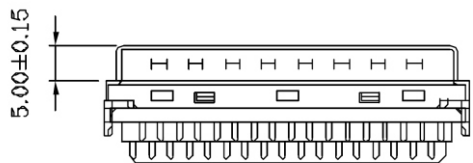
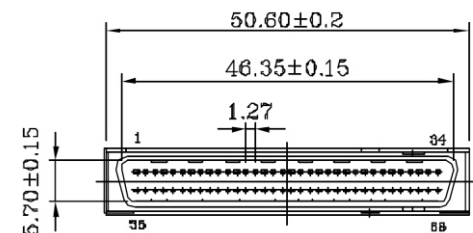
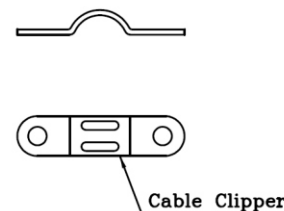
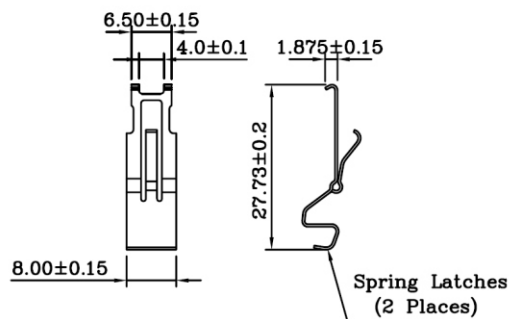


- FEATURES:**
- Round cable angled exit 70°
 - Strain relief staple with spring latches
 - Backshell desing by Die-Cast
 - Excellent EMI/RFI protection
- MATERIALS:**
- Backshell: Zinc plated nickel over copper
 - Spring latches: Phosphor Bronze over Nickel
 - Screw: steel nickel plated over copper
 - Cable Clipper: steel nickel plated

HPD-PSWA-068-LF
LEADFREE
RoHS Compliant



PART NO. HPD-PSWA-068

DWG NO. HPD-PSWA-068

CHECKED BY CY

TOLERANCES ARE

DESCRIP TION:

煜倫股份有限公司

FILE NO.

DRAWING BY

.X ± 0.2
.XX ± 0.1
.XXX ±
AWG

AREA

REVISIONS

HK

DATE

UNIT / mm

SCALE 1:1

PROJECTION