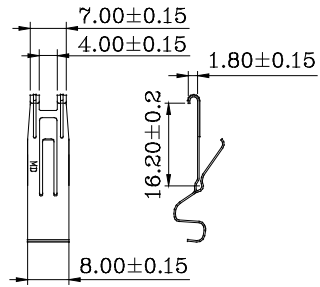


• **MATERIALS:(RoHS Compliant)**

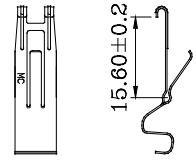
Housing: Plastic Thermoplastic  
 P.B.T UL94V-0 Black  
 Contacts: Phosphor Bronze Gold  
 Selective Plated  
 Front Shell: Steel Nickel Plated  
 Over Copper

• **ELECTRICAL CHARACTERISTICS:**

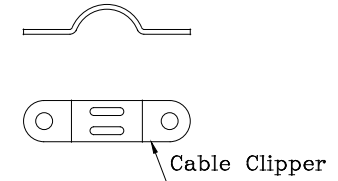
Contact Current Rating: 1 Amp  
 Dielectric Withstanding Voltage: 500V AC  
 Insulation Resistance: >500MΩ/Min  
 Contact Resistance: 35mΩ/Max  
 Operation Temperature: -55°C ~ +105°C



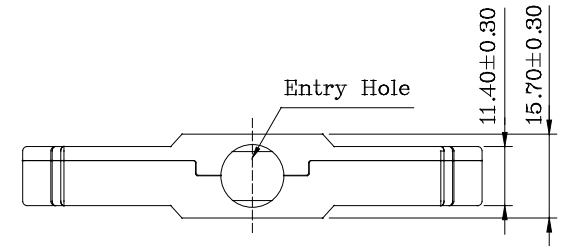
《HP · DB》



《HP · CN》

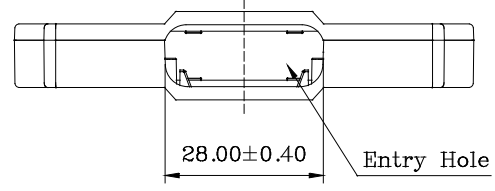
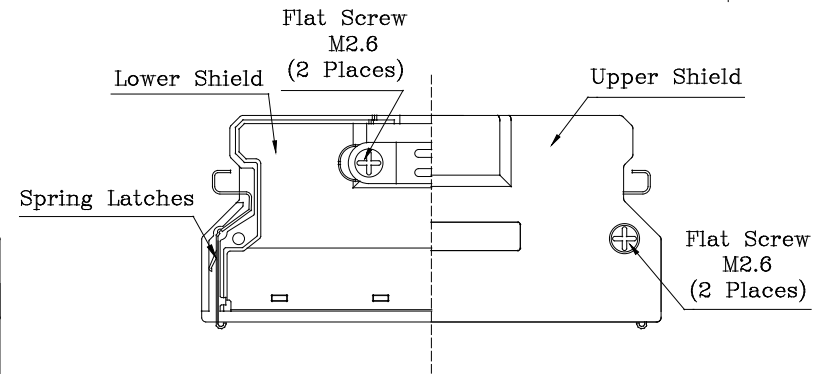
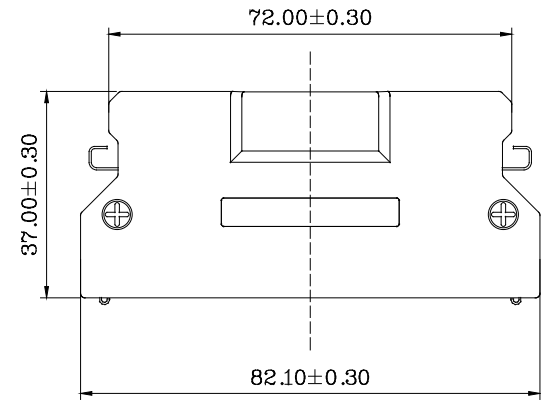


Cable Clipper

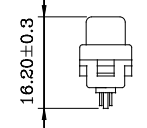
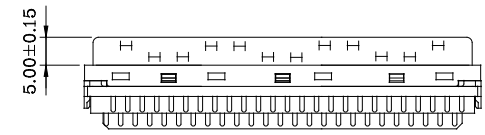
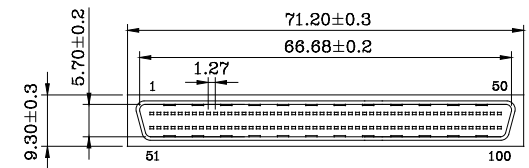
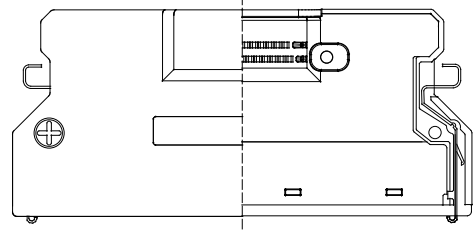


Entry Hole

HPD-PSW-100-LF  
 LEADFREE  
 RoHS Compliant



Entry Hole



**MORETHANALL**  
 CONNECTORS  
 ASSEMBLIES

A	PART NO. HPD-PSW-100		CHECKED BY CY	TOLERANCES ARE .X ± 0.2 .XX ± .XXX ± AWG	DESCRIP TION:	AREA	REVISIONS	HK	DATE
	DWG NO. HPD-PSW-100								
A	FILE NO.		PROJECTION						
	UNIT / mm	SCALE 1:1							

煜倫股份有限公司