

FEATURES:

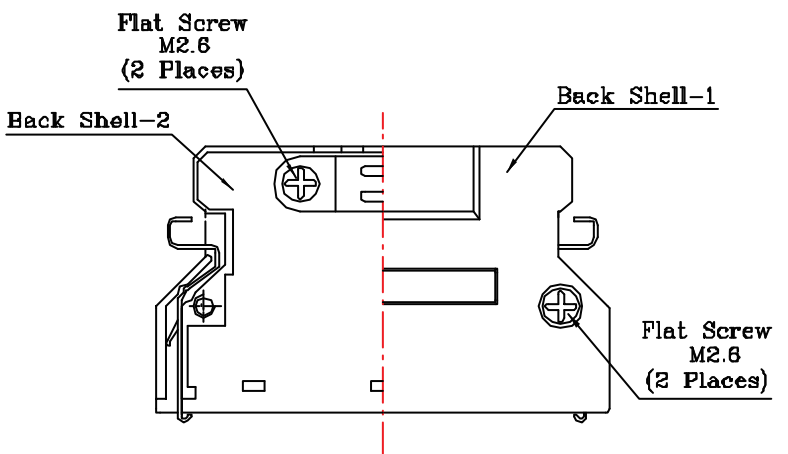
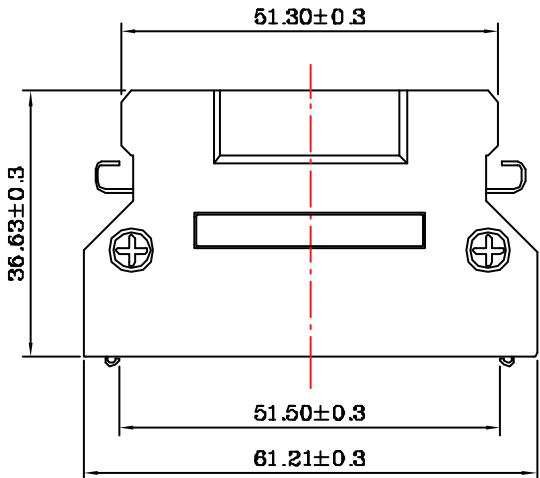
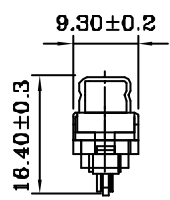
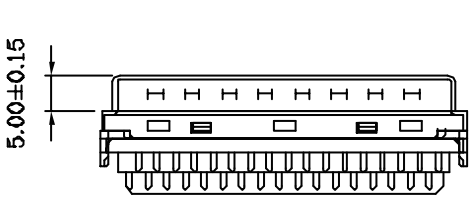
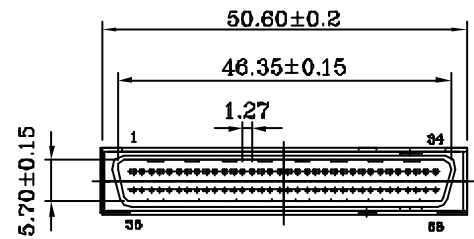
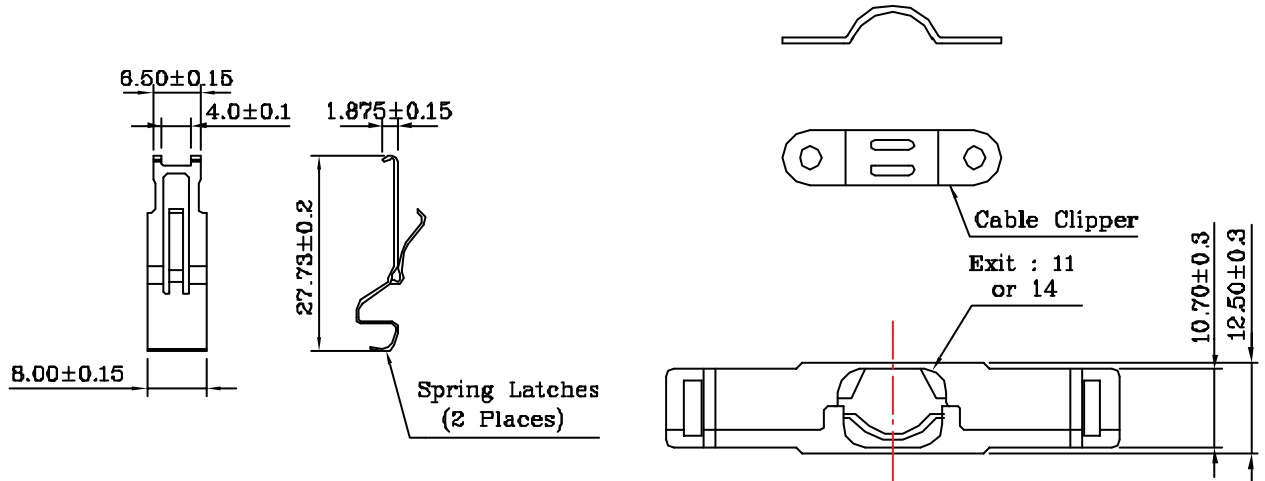
- Half pitch 1.27mm(.050") series
- D-SUB Male connector solder type for cable
- Assembly hood: with Die-Cast metal hood
- Fully EMI/RFI shielded

MATERIALS:

- Housing: Thermoplastic P.B.T UL94V-0 black
- Contacts: Phosphor bronze mating end selective gold plated
- Front Shell: Steel nickel plated over copper

ELECTRICAL:

- Current Rating: 1 Amp
- Insulation Resistance: 500MΩ/Min
- Withstanding Voltage: AC 500V/Min
- Contact Resistance: 35mΩ MAX
- Temperature Range: -55°C ~ +105°C



RoHS Compliant

TOLERANCES ARE

MORETHANALL
PCB CONNECTORS
Cable ASSEMBLIES

DRAWING BY CY
CHECKED BY GENIUS
UNIT/mm SCALE 1:1
DATE

X, ±
.X, ±
.XX, ±
.XXX, ±
ANG, ±

煜倫股份有限公司

www.morethanall.com

SIZE A4 PROJECTION

ORDER INFORMATION

HPD-PSW-068-LF
SERIES | | | LEADFREE
| | | 68 WAY
| | | W TYPE COVER
| | | SOLDER
| | | MALE

DESCRIPTION: 1.27mm(.050") Pitch D-SUB 68P Male Connector Solder Assembly Type