

1 2 3 4 5 6 7 8 9 0

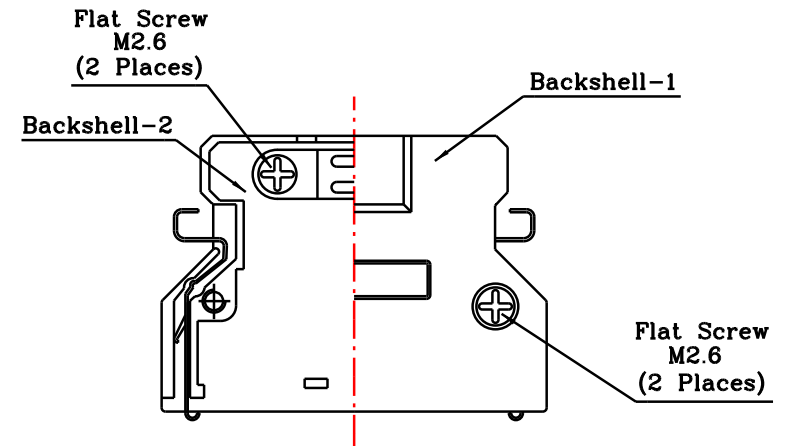
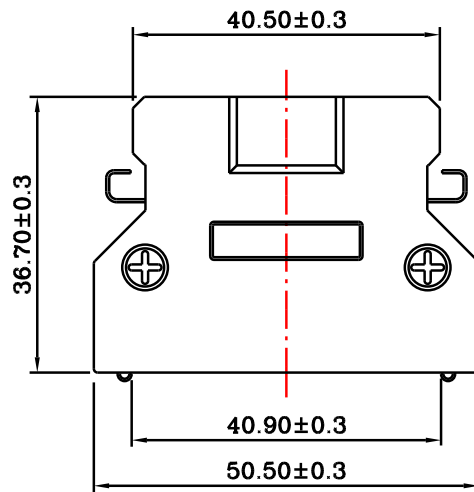
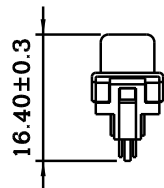
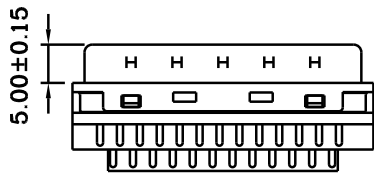
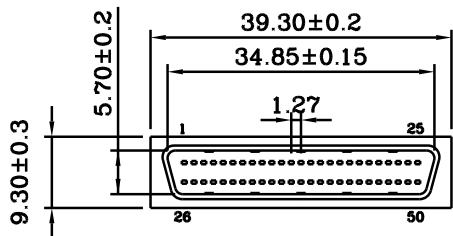
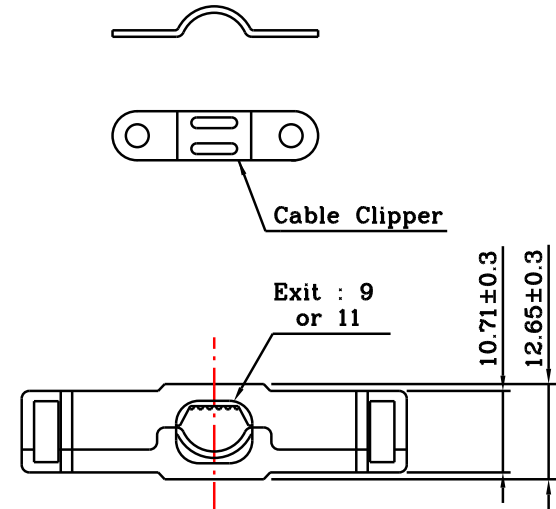
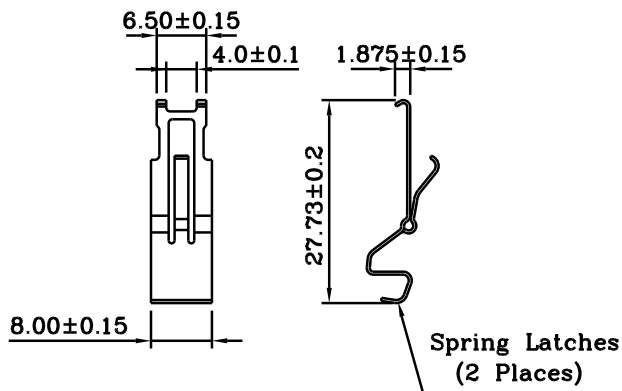
J
I
H
G
F
E
D
C
B
A

FEATURES:

- Round cable straight exit
- Strain relief staple with spring latches
- Backshell desing by Die-Cast
- Excellent EMI/RFI protection

MATERIALS:

- Backshell: Zinc plated nickel over copper
- Spring latches: Phosphor Bronze over Nickel
- Screw: steel nickel plated over copper
- Cable Clipper: steel nickel plated



HPD-PSW-050-LF
LEADFREE

RoHS Compliant



PART NO. HPD-PSW-050

DWG NO. HPD-PSW-050

FILE NO.

UNIT / mm

SCALE 1:1

CHECKED BY CY

DRAWING BY

PROJECTION

TOLERANCES ARE

.X ± 0.2
.XX ± 0.1
.XXX ±
AWG

DESCRIP TION:

1.27mm(.050") Series 50P Hood
Shielded Die-Cast With
Spring Latches

AREA

REVISIONS

HK

DATE

焯倫股份有限公司