

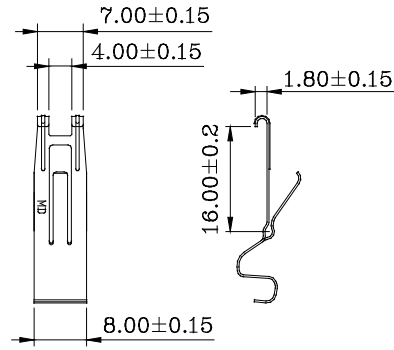
• **MATERIALS:(RoHS Compliant)**

Housing: Plastic Thermoplastic  
 P.B.T UL94V-0 Black  
 Contacts: Phosphor Bronze Gold  
 Selective Plated  
 Front Shell: Steel Nickel Plated  
 Over Copper

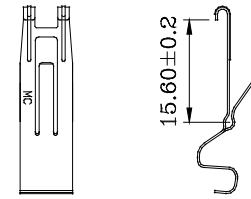
• **ELECTRICAL CHARACTERISTICS:**

Contact Current Rating: 1 Amp  
 Dielectric Withstanding Voltage: 500V AC  
 Insulation Resistance: >500MΩ/Min  
 Contact Resistance: 35mΩ/Max  
 Operation Temperature: -55°C ~ +105°C

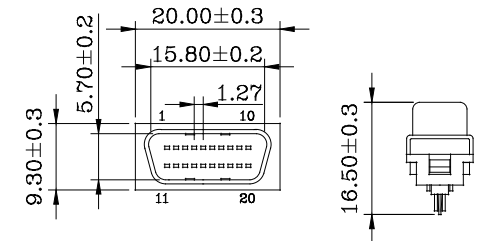
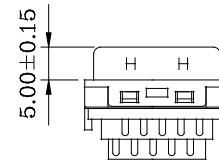
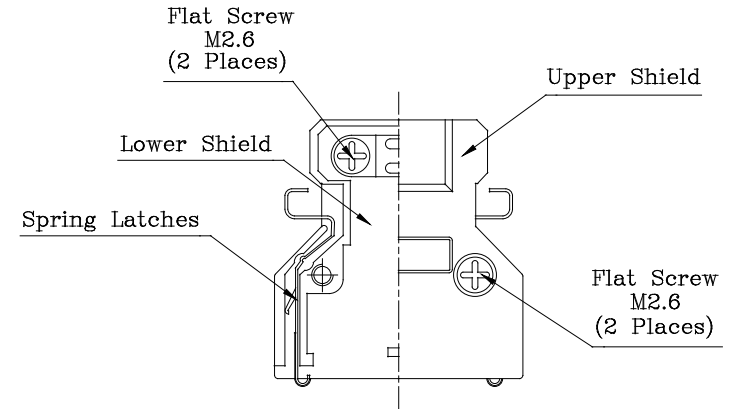
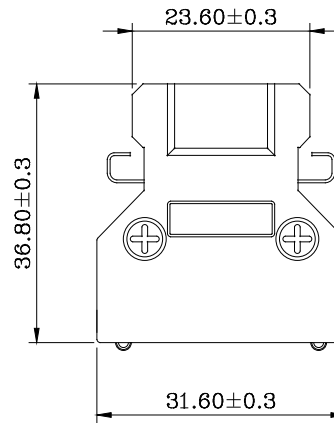
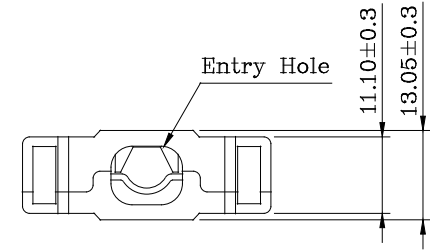
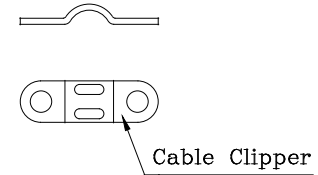
HPD-PSW-020-LF  
 LEADFREE  
 RoHS Compliant



《HP · DB》



《HP · CN》



**MORETHANALL**  
 CONNECTORS  
 ASSEMBLIES

PART NO. HPD-PSW-020

DWG NO. HPD-PSW-020

CHECKED BY CY

TOLERANCES ARE

DESCRIP TION:

FILE NO.

DRAWING BY

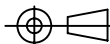
.X ± 0.2  
 .XX ±  
 .XXX ±  
 AWG

煜倫股份有限公司

UNIT / mm

SCALE 1:1

PROJECTION



AREA

REVISIONS

HK

DATE