

• MATERIALS:(RoHS Compliant)

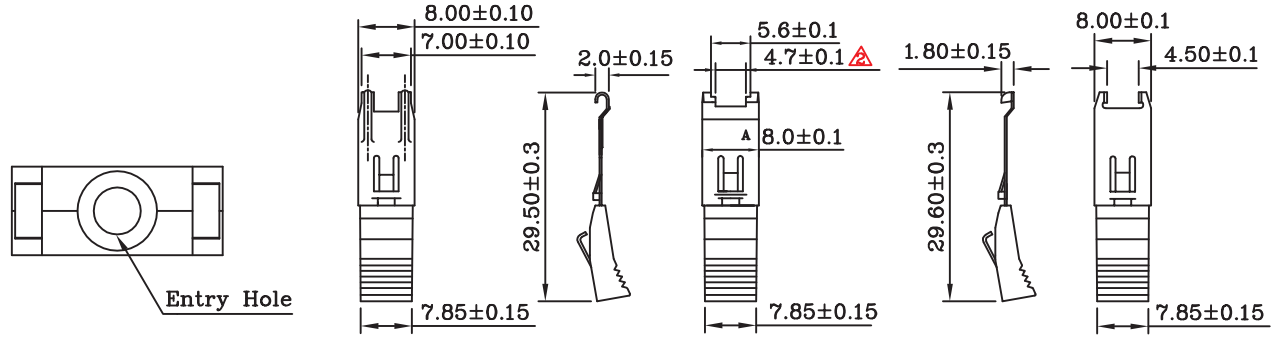
Hood: Plastic Thermoplastic ABS UL 94V-0  
 Latch Cover: Plastic Thermoplastic ABS UL 94V-0  
 Latch: Stainless Steel  
 Inner Shell: Steel Nickel Plated Over Copper

• MATERIALS: (RoHS Compliant)

Housing: Plastic Thermoplastic  
 P.B.T UL94V-0 Black  
 Contacts: Phosphor Bronze Gold  
 Selective Plated  
 Front Shell: Steel Nickel Plated  
 Over Copper

• ELECTRICAL CHARACTERISTICS:

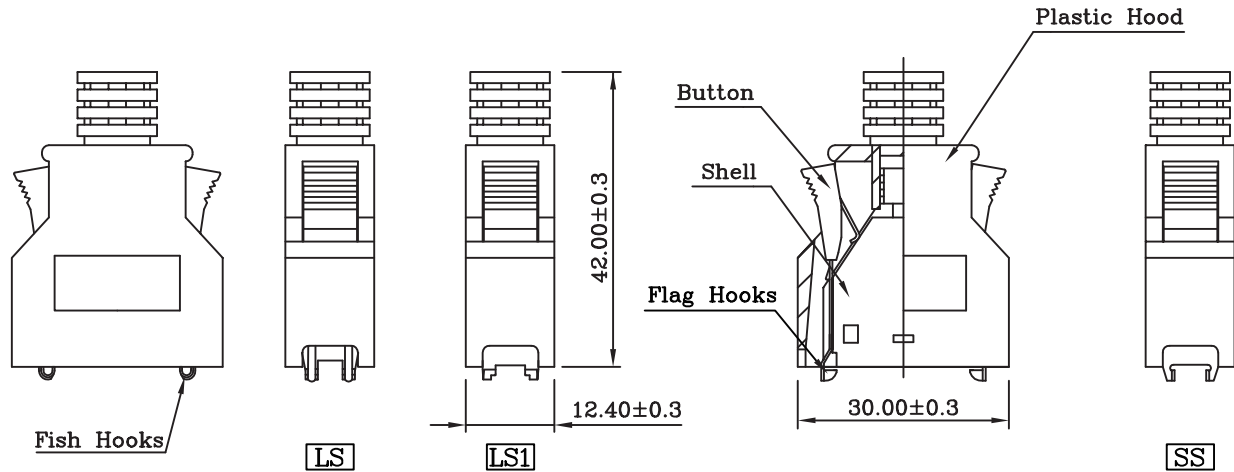
Contact Current Rating: 0.5 Amp  
 Dielectric Withstanding Voltage: 500V AC  
 Insulation Resistance: >500MΩ/Min  
 Contact Resistance: 35mΩ/Max  
 Operation Temperature: -55°C ~ +85°C



LS: Fish Hooks

LS1: Fish Hooks

SS: Flag Hooks

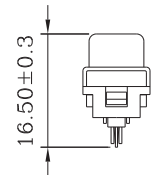
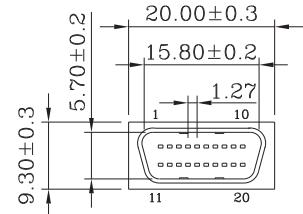
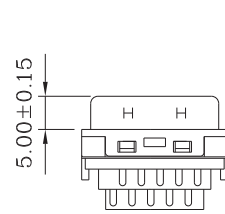
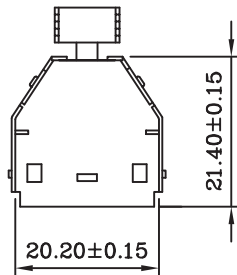
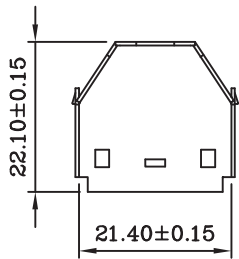


Fish Hooks

LS

LS1

SS



RoHS Compliant

TOLERANCES ARE

**MORETHANALL**  
 PCB CONNECTORS  
 Cable ASSEMBLIES

DRAWING BY CY  
 CHECKED BY GENIUS  
 UNIT / mm SCALE 1 : 1  
 DATE

X.±  
 .X±  
 .XX±  
 .XXX±  
 ANG ±

照片框

ORDER INFORMATION

HPD-PSQ-020-LF  
 SERIES | LEADFREE  
 | 20WAY  
 | Q TYPE COVER  
 | SOLDER  
 | MALE

煜倫股份有限公司

www.morethanall.com

SIZE A4 PPROJECTION

DESCRIPTION: 1.27mm (.050") Pin Type 20Pos  
 Cable Plug Connector Solder Assembly Type