

**FEATURES:**

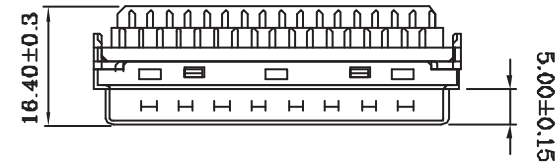
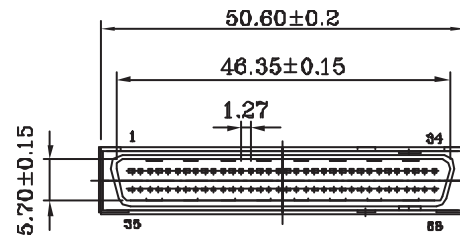
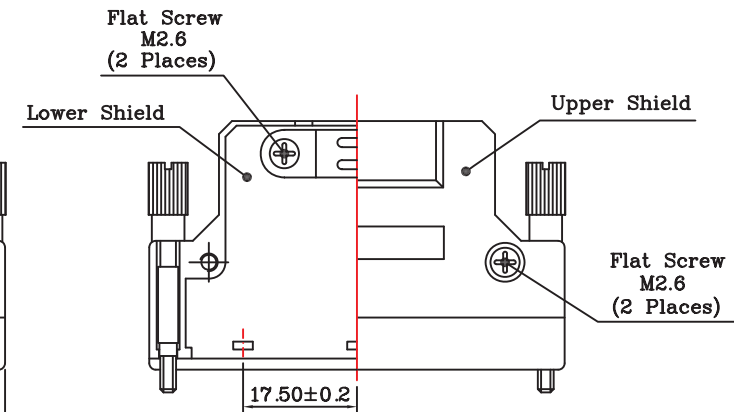
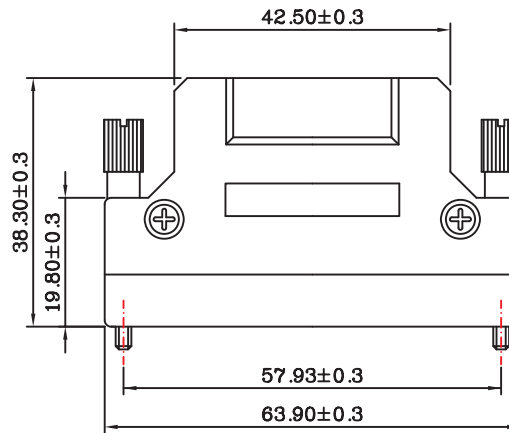
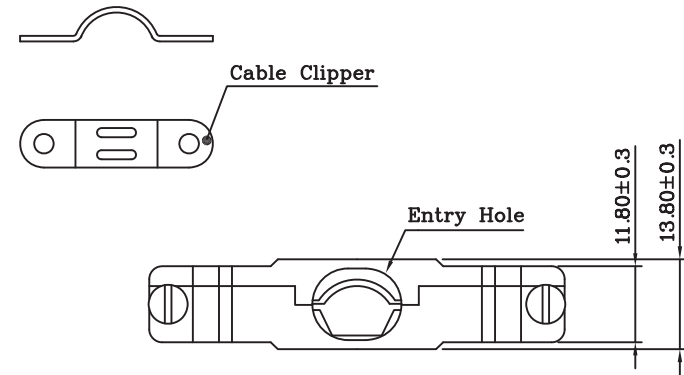
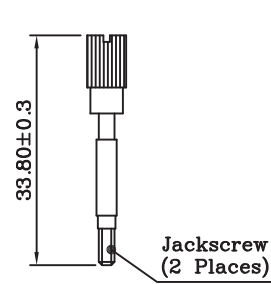
- Half pitch 1.27mm(.050") series
- D-SUB Male connector solder type for cable
- Assembly hood: with Die-Cast metal hood
- Fully EMI/RFI shielded

**MATERIALS:**

- **Housing:**  
Thermoplastic P.B.T UL94V-0 black
- **Contacts:**  
Phosphor bronze mating end selective gold plated
- **Front Shell:** Steel nickel plated over copper

**ELECTRICAL:**

- **Current Rating:** 1 Amp
- **Insulation Resistance:** 500MΩ/Min
- **Withstanding Voltage:** AC 500V/Min
- **Contact Resistance:** 35mΩ MAX
- **Temperature Range:** -55°C ~ +105°C



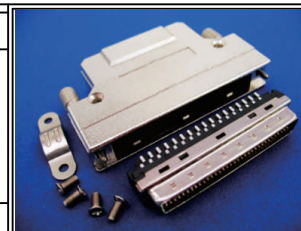
**RoHS Compliant**

TOLERANCES ARE

**MORETHANALL**  
PCB CONNECTORS  
Cable ASSEMBLIES

DRAWING BY CY  
CHECKED BY GENIUS  
UNIT / mm SCALE 1 : 1  
DATE  
SIZE A4

X ±  
X ±  
.XX ±  
.XXX ±  
ANG ±



**ORDER INFORMATION**

HPD-PSM-068-LF  
SERIES | LEADFREE  
68 WAY  
METAL COVER  
SOLDER  
MALE

**煜倫股份有限公司**

www.morethanall.com

PPOJECTION

DESCRIPTION: