

• **MATERIALS:(RoHS Compliant)**

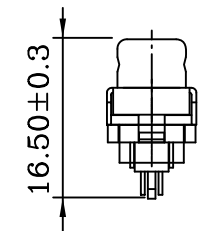
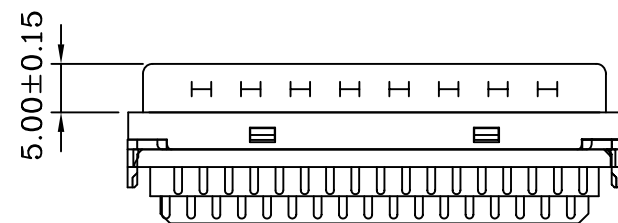
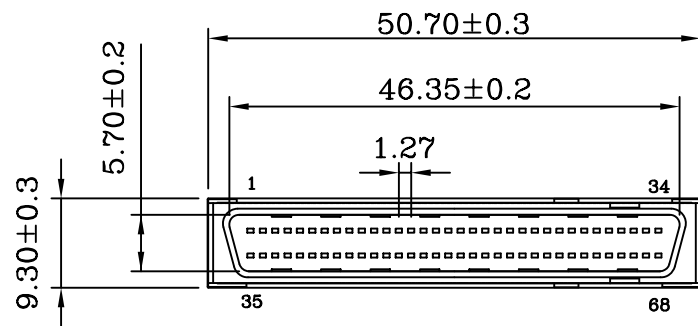
Housing And Cover : Plastic thermoplastic  
 P.B.T UL94V-0 black  
 Contacts : Phosphor bronze gold  
 selective plated  
 Front Shell : Steel nickel plated  
 over copper

• **ELECTRICAL CHARACTERISTICS**

Contact Current Rating: 1 Amp  
 Dielectric Withstanding Voltage: 500V AC  
 Insulation Resistance: 500MΩ/Min  
 Contact Resistance: 35mΩ/Max  
 Operation Temperature: -55°C ~ +105°C

HPD-PS-068-LF  
 LEADFREE

RoHS Compliant



PART NO. HPD-PS-068

DWG NO. HPD-PS-068

CHECKED BY CY

TOLERANCES ARE

DESCRIP TION:

1.27mm (.050") Pin Type 68Pos  
 Cable Plug Connector  
 Solder Molded Type

FILE NO.

DRAWING BY

.X ± 0.2  
 .XX ± 0.1  
 .XXX ±  
 AWG

AREA

REVISIONS

HK

DATE

煜倫股份有限公司

UNIT / mm

SCALE 1:1

PROJECTION