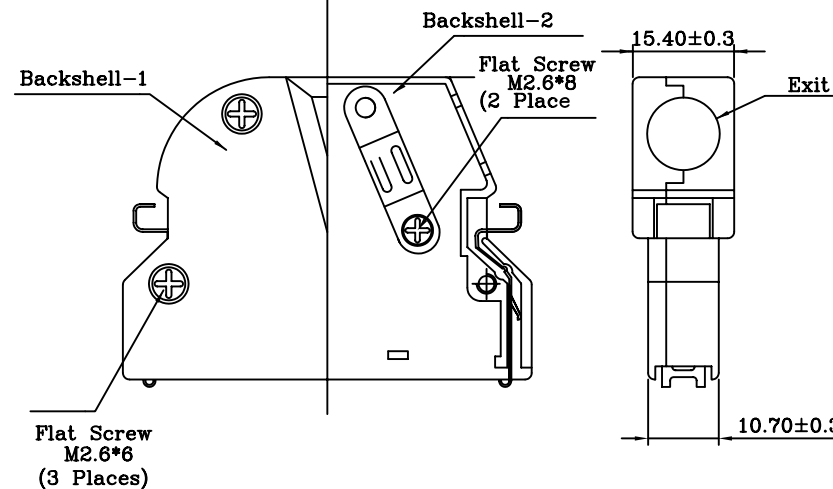
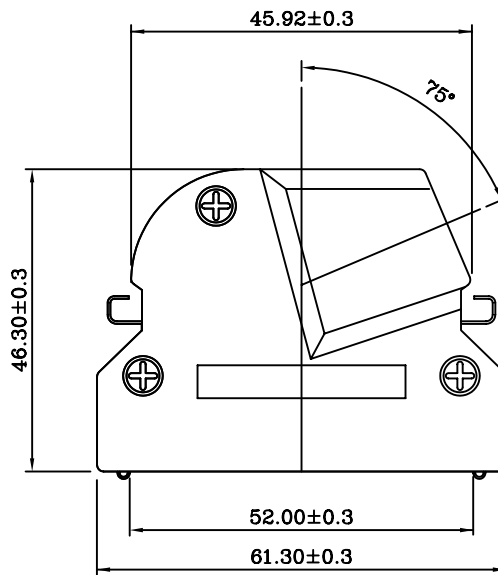
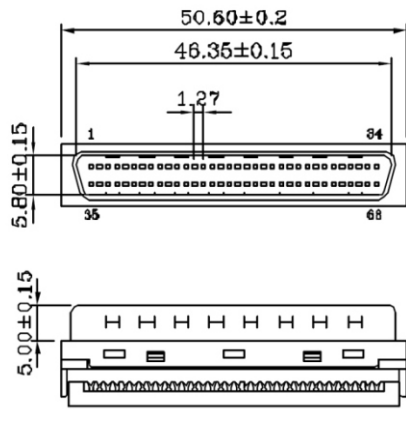
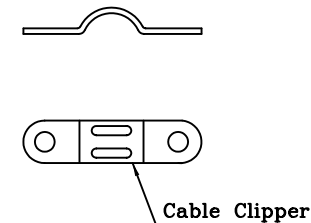
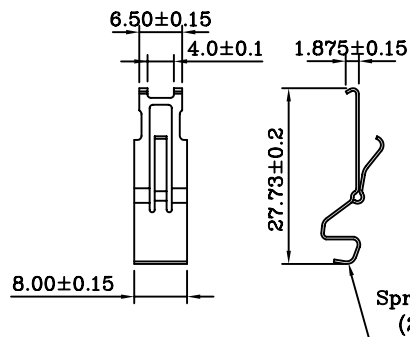


**FEATURES:**

- Round cable angled exit 70°
- Strain relief staple with spring latches
- Backshell desing by Die-Cast
- Excellent EMI/RFI protection

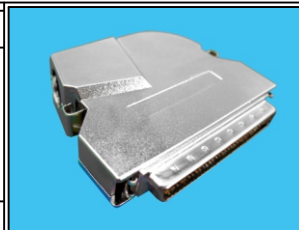
**MATERIALS:**

- Backshell: Zinc plated nickel over copper
- Spring latches: Phosphor Bronze over Nickel
- Screw: steel nickel plated over copper
- Cable Clipper: steel nickel plated



**RoHS Compliant**

TOLERANCES ARE



**ORDER INFORMATION**

HPD-PFWA-068-LF  
 SERIES | LEADFREE  
 | 68 WAY  
 | SLANT  
 | W TYPE COVER  
 | IDC  
 | MALE

**MORETHANALL**  
 PCB CONNECTORS  
 Cable ASSEMBLIES

煜倫股份有限公司

www.morethanall.com

DRAWING BY CY

CHECKED BY GENIUS

UNIT / mm SCALE 1 : 1

DATE

SIZE A4 PPROJECTION

X, ±  
 .X ±  
 .XX ±  
 .XXX ±  
 ANG ±



DESCRIPTION: 1.27mm(.050") Series 68P Hood Shielded Die-Cast With Spring Latches