

1 2 3 4 5 6 7 8 9 0

J
I
H
G
F
E
D
C
B
A

FEATURES:

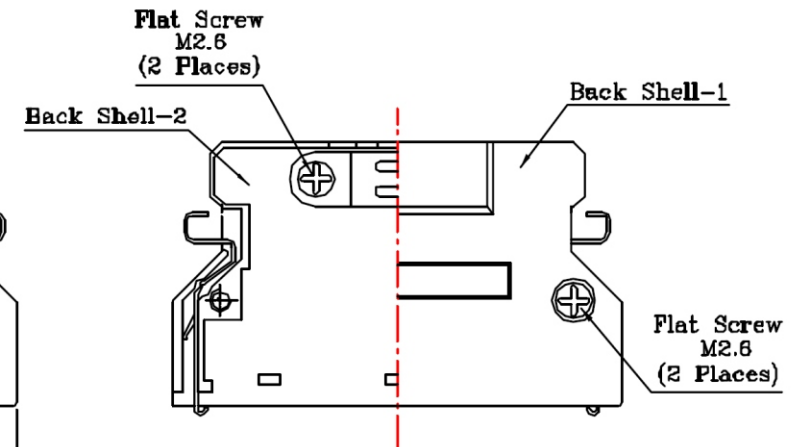
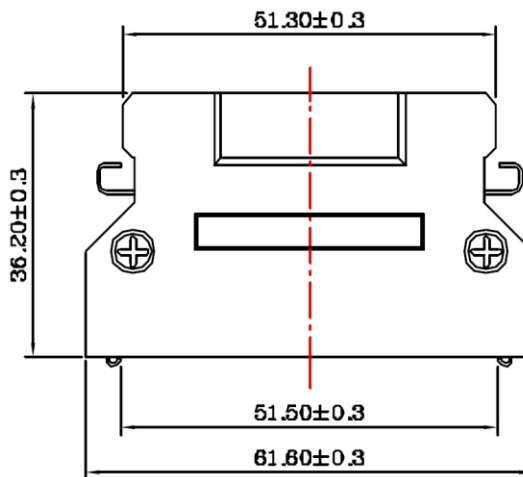
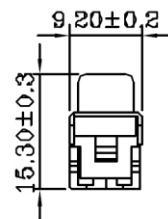
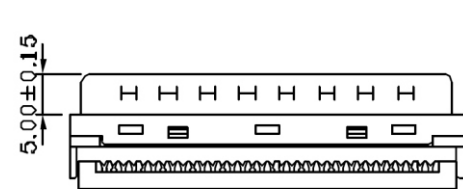
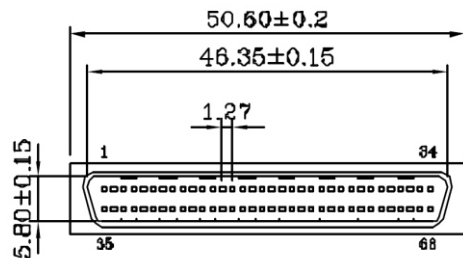
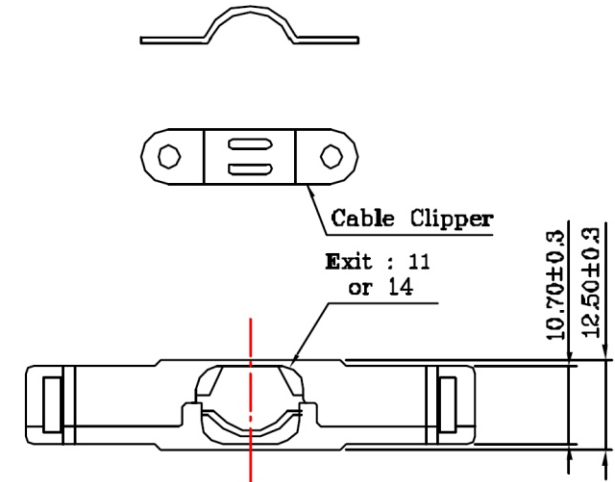
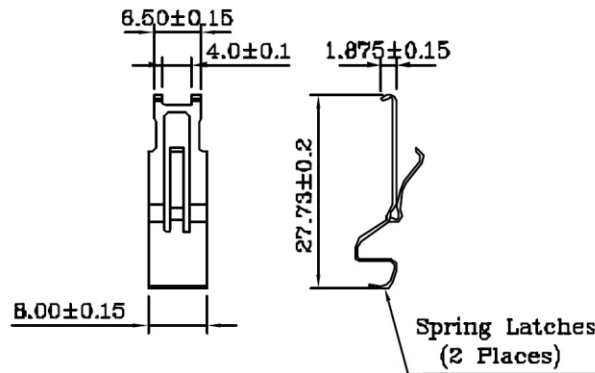
- Half pitch 1.27mm(.050") series
- D-SUB Male connector solder type for cable
- Assembly hood: with Die-Cast metal hood
- Fully EMI/RFI shielded

MATERIALS:

- **Housing:** Thermoplastic P.B.T UL94V-0 black
- **Contacts:** Phosphor bronze mating end selective gold plated
- **Front Shell:** Steel nickel plated over copper

ELECTRICAL:

- **Current Rating:** 1 Amp
- **Insulation Resistance:** 500MΩ/Min
- **Withstanding Voltage:** AC 500V/Min
- **Contact Resistance:** 35mΩ MAX
- **Temperature Range:** -55°C ~ +105°C



HPD-PFW-068-LF
LEADFREE
RoHS Compliant



PART NO. HPD-PFW-068

DWG NO. HPD-PFW-068

CHECKED BY CY

TOLERANCES ARE

DESCRIP TION:

FILE NO.

DRAWING BY

.X ± 0.2
.XX ± 0.1
.XXX ±
AWG

AREA

REVISIONS

HK

DATE

煜倫股份有限公司

UNIT / mm

SCALE 1:1

PROJECTION