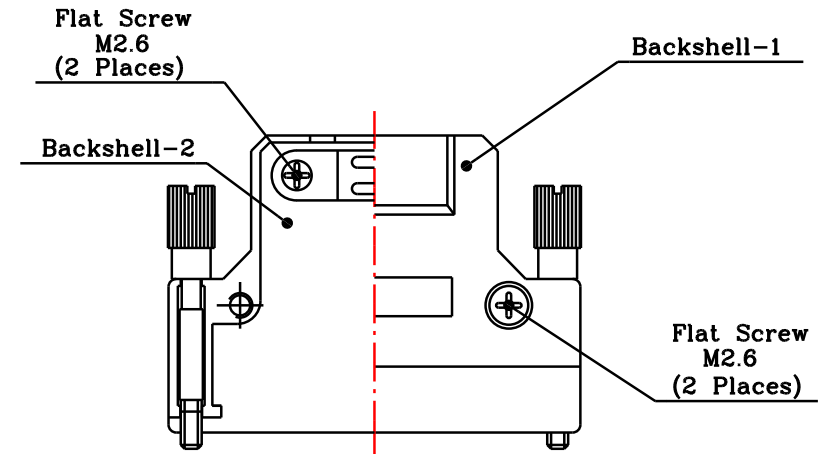
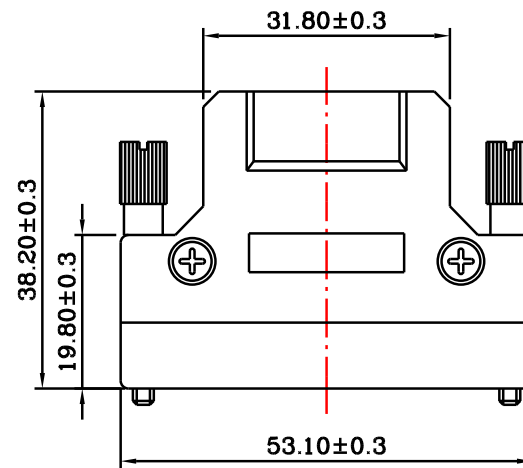
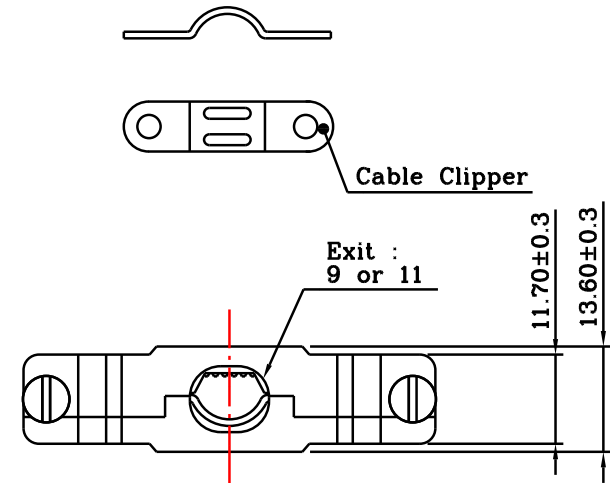
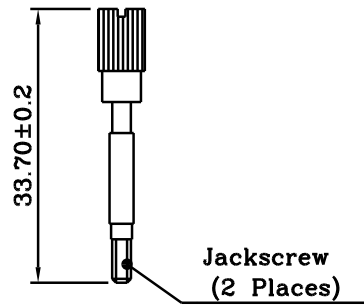


FEATURES:

- Round cable straight exit
- Strain Relief Staple With Jackscrew
- Back shell desing by Die-Cast
- Excellent EMI/RFI protection

MATERIALS:

- Back Shell: Zinc plated nickel over copper
- Jackscrews: steel nickel plated over copper
- Screw: steel nickel plated over copper
- Cable Clipper: steel nickel plated



RoHS Compliant

TOLERANCES ARE

MORETHANALL
PCB CONNECTORS
Cable ASSEMBLIES

DRAWING BY CY

X.±

CHECKED BY GENIUS

.X±

UNIT / mm

SCALE 1:1

.XX±

DATE

.XXX±

ANG±

SIZE A4

PPOJECTION

照片框

ORDER INFORMATION

HPD-M-050-LF
SERIES | LEADFREE
50 WAY
METAL HOOD

煜倫股份有限公司

www.morethanall.com

DESCRIPTION: 1.27mm(.050") Series 50P Hood Shielded Die-Cast With Jackscrew