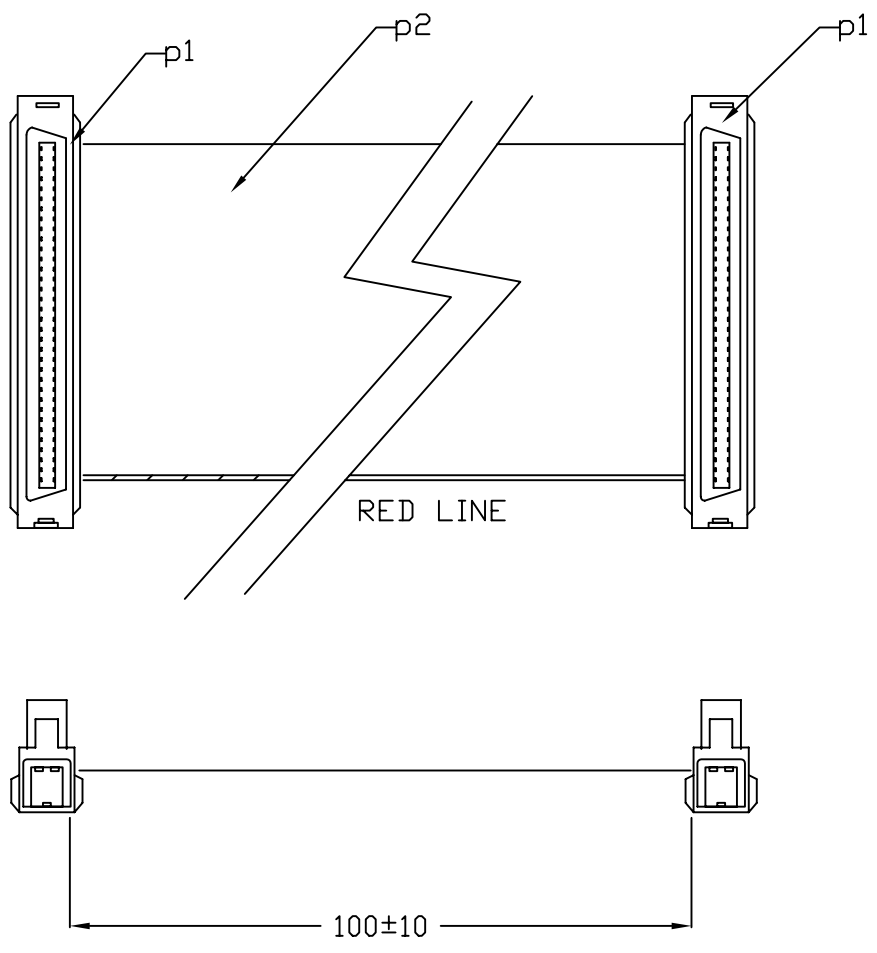


1 2 3 4 5 6 7 8 9 0

J  
I  
H  
G  
F  
E  
D  
C  
B  
A



COMPONENTS	DESCRIPTION	Q'TY
1	SCA80F SCA80P SOCKET RIBBON TYPE,FEMALE	2
2	CABLE 0.635mm FLAT CABLE 80C PVC SOLID	
	COPPER UL2678 AWG 30	

**MORETHANALL**  
CONNECTORS  
ASSEMBLIES

PART NO. HPCPX2-8080-F10C

DWG NO. HPCPX2-8080-F10C

FILE NO.

UNIT / mm

SCALE 1:1

CHECKED BY CY

DRAWING BY

PROJECTION

TOLERANCES ARE

.X ± 0,3  
.XX ±  
.XXX ±  
AWG

DESCRIPTION:

AREA	REVISIONS	HK	DATE

煜倫有限公司