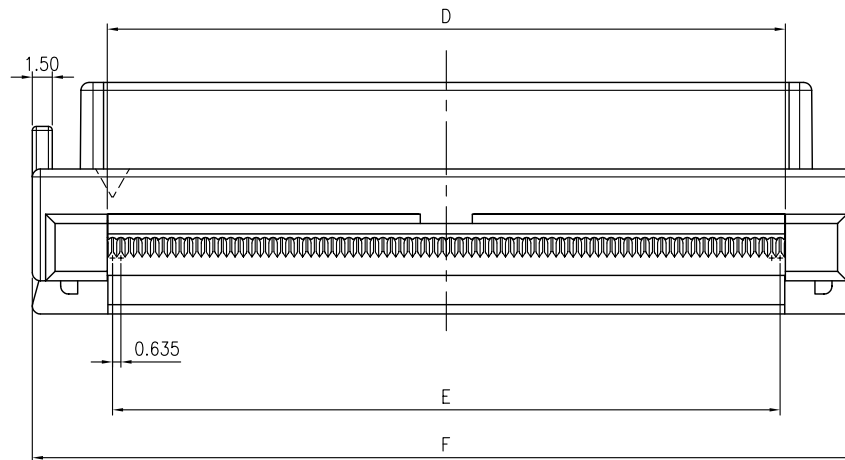
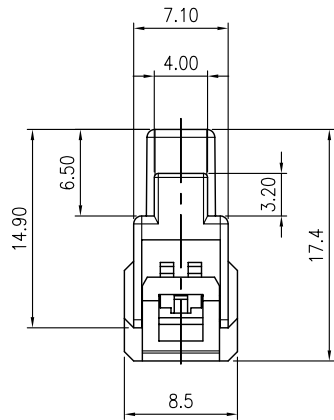


1. MATERIAL :
- INSULATOR P.B.T + 30% GLASS REINFORCED UL94 V-0 , BLACK
 - CONTACT PHOSPHOR BRONZE, C5191R-H THICKNESS= 0.30 mm
 - LOCATOR P.B.T + 30% GLASS REINFORCED UL94 V-0 , BLACK
 - WIRE COVER P.B.T + 30% GLASS REINFORCED UL94 V-0 , BLACK



DIM. POS.	A	B	C	D	E	F
80	49.53	51.50	55.00	50.95	50.165	62.20
68	41.91	43.88	47.38	43.33	42.545	54.58
40	24.13	26.10	29.60	25.55	24.765	36.80

RoHS Compliant

TOLERANCES ARE

MORETHANALL
PCB CONNECTORS
Cable ASSEMBLIES

DRAWING BY CY

X. ±

CHECKED BY GENIUS

.X ±

UNIT / mm

SCALE 1 : 1

.XX ±

DATE

.XXX ±

ANG ±

SIZE A4

PJECTION

照片框

ORDER INFORMATION

HPCP-SF2-xxx-LF

SERIES LEADFREE
040.068.080 WAY
TWO TYPE
IDC
FEMALE

煜倫股份有限公司

www.morethanall.com

DESCRIPTION: