

• **MATERIALS:(RoHS Compliant)**

Housing And Cover : Plastic thermoplastic
Nylon PA-9T UL94V-0 black

Contacts : Phosphor bronze gold
selective plated

Bracket : Die-Cast Zinc NICKEL
plates over copper

Front Shell : Steel nickel plated
over copper

• **ELECTRICAL CHARACTERISTICS**

Contact Current Rating: 0.5 Amp

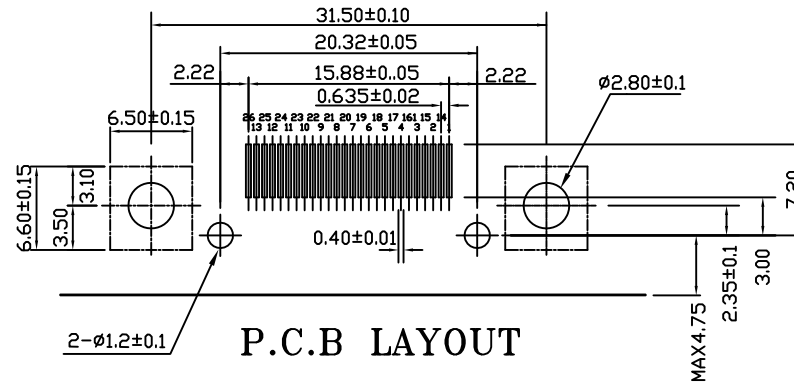
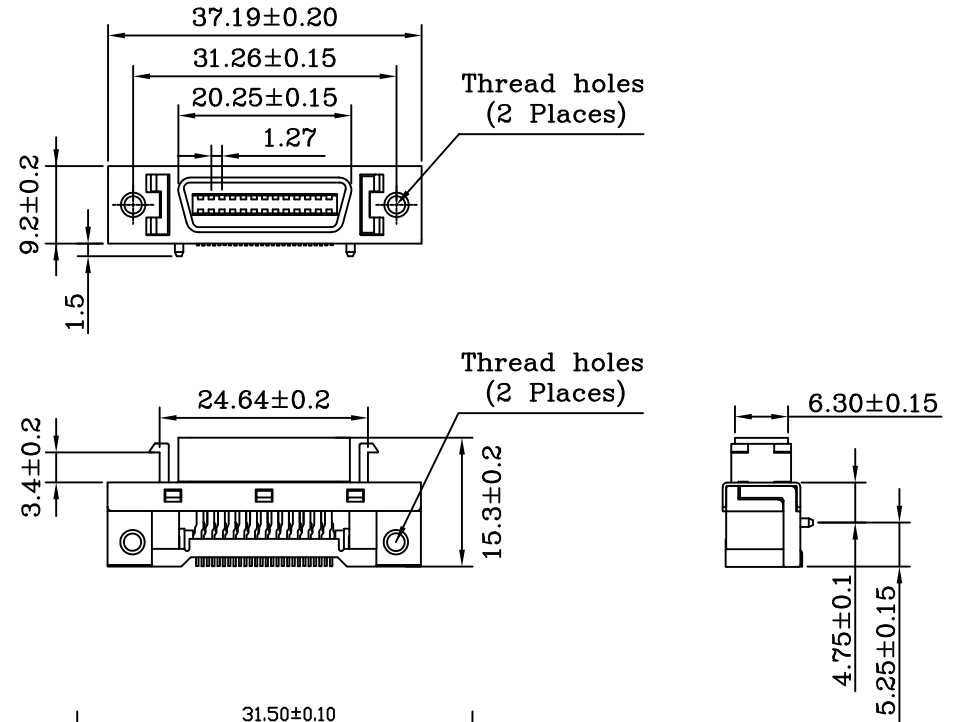
Dielectric Withstanding Voltage: 150V AC

Insulation Resistance: 500MΩ/Min

Contact Resistance: 40mΩ Max

Operation Temperature: -55°C ~ +85°C

HPC-SWLM25-026-LF
LEADFREE
M2.5 TREADED HOLES
RoHS Compliant



MORETHANALL
CONNECTORS
ASSEMBLIES

PART NO. HPC-SWLM25-026

DWG NO. HPC-SWLM25-026

CHECKED BY CY

TOLERANCES ARE

DESCRIP TION:

1.27mm (.050") Ribbon 26P
Receptacles Headers Right-Angle
SMT Type

FILE NO.

DRAWING BY

.X ± 0.2
.XX ±
.XXX ±
AWG

AREA

REVISIONS

HK

DATE

煜倫股份有限公司

UNIT / mm

SCALE 1:1

PROJECTION

