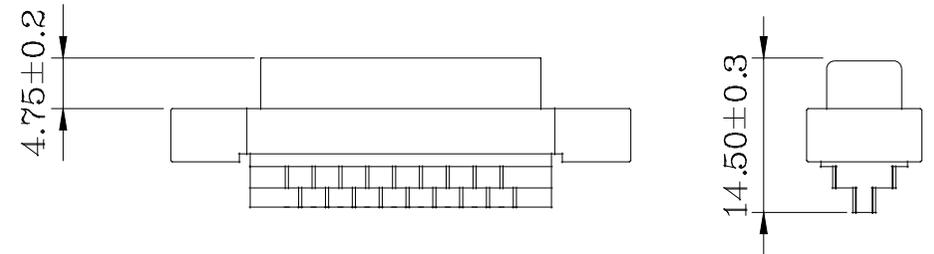
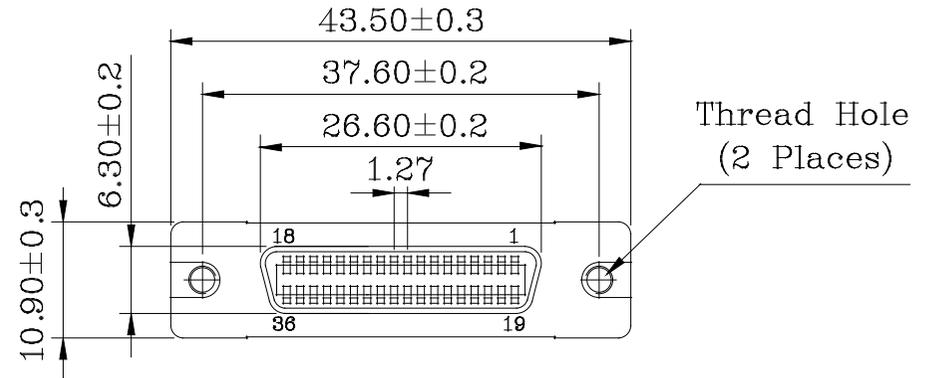


• MATERIALS:(RoHS Compliant)

Housing: Plastic Thermoplastic
P.B.T UL94V-0 Black
Contacts: Phosphor Bronze Gold
Selective Plated
Bracket: Zinc Alloy Nickel
Plated Over Copper

• ELECTRICAL CHARACTERISTICS:

Contact Current Rating: 1 Amp
Dielectric Withstanding Voltage: 500V AC
Insulation Resistance: >500MΩ/Min
Contact Resistance: 35mΩ/Max
Operation Temperature: -55°C ~ +105°C



RoHS Compliant

TOLERANCES ARE

MORETHANALL
PCB CONNECTORS
Cable ASSEMBLIES

煜倫股份有限公司

www.morethanall.com

DRAWING BY CY

CHECKED BY GENIUS

UNIT / mm

SCALE 1:1

DATE

SIZE A4

PJECTION

X.±
.X±
.XX±
.XXX±
ANG±

ORDER INFORMATION

HPC-SSX-036-LF
SERIES | | | LEADFREE
| | | 36 WAY
| | | NON LOCK
| | | SOLDER
| | | FEMALE

DESCRIPTION:1.27mm(.050") Ribbon 36P Cable Receptacles Connector Solder Type