

**FEATURES:**

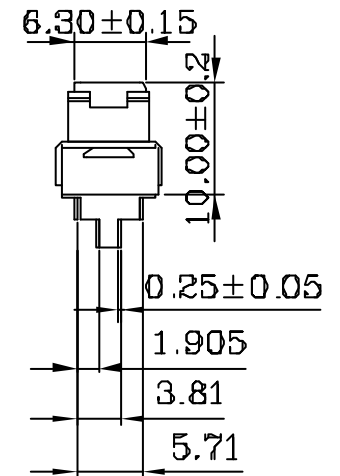
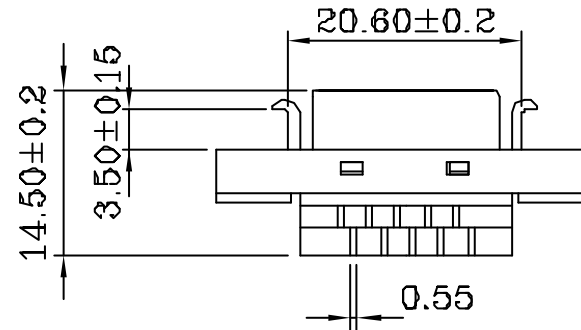
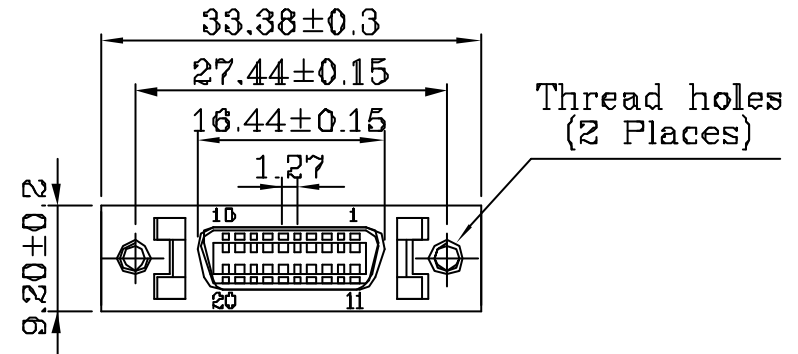
- Half pitch 1.27mm(.050") series
- Centronic female connector solder type for cable
- Fully EMI/RFI shielded

**MATERIALS:**

- Housing: Thermoplastic P.B.T UL94V-0 black
- Contacts: Phosphor bronze mating end selective gold plated
- Shell: Steel nickel plated over copper

**ELECTRICAL:**

- Current Rating: 1 Amp
- Insulation Resistance: 500MΩ/Min
- Withstanding Voltage: AC 500V/Min
- Contact Resistance: 35mΩ MAX
- Temperature Range: -55°C ~ +105°C



RoHS Compliant

TOLERANCES ARE

**MORETHANALL**  
PCB CONNECTORS  
Cable ASSEMBLIES

煜倫股份有限公司

www.morethanall.com

DRAWING BY CY

CHECKED BY GENIUS

UNIT / mm SCALE 1:1

DATE

SIZE A4

X. ±  
.X ±  
.XX ±  
.XXX ±  
ANG ±

PPOJECTION

照片框

ORDER INFORMATION

HPC-SSL-020-LF  
SERIES | | | LEADFREE  
| | | 20 WAY  
| | | LOCK  
| | | SOLDER  
| | | FEMALE

DESCRIPTION: 1.27mm(.050") Pitch Centronic 20P Female Connector Solder Assembly type