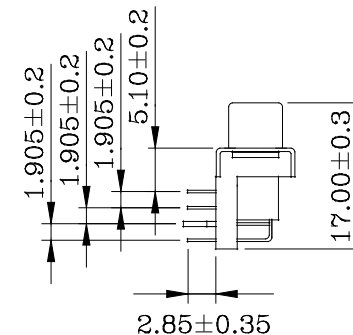
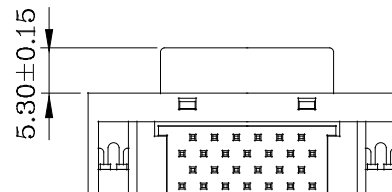
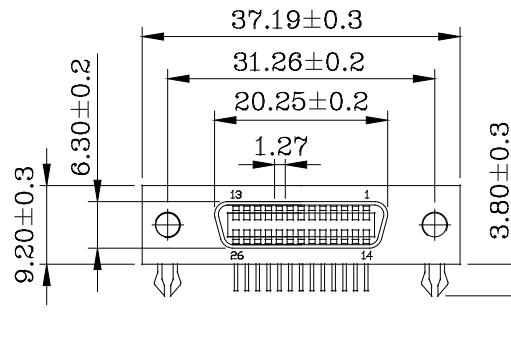


• **MATERIALS:(RoHS Compliant)**

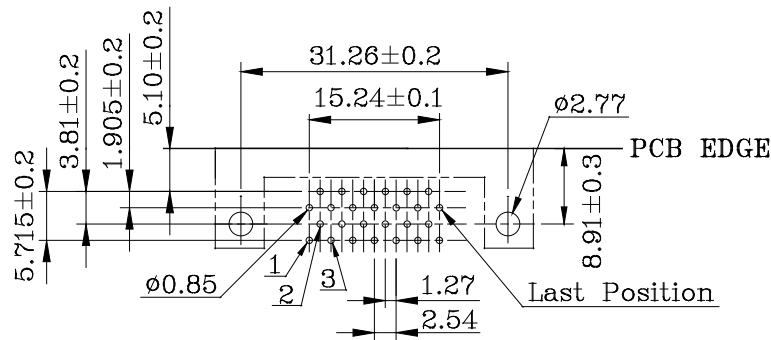
Housing And Cover: Plastic Thermoplastic  
P.B.T UL94V-0 Black  
Contacts: Phosphor Bronze Gold  
Selective Plated  
Front Shell: Steel Nickel Plated  
Over Copper  
Bracket: Steel Nickel Plated  
Over Copper  
Boardlock: Brass Tin Plated  
Over Copper

• **ELECTRICAL CHARACTERISTICS:**

Contact Current Rating: 1 Amp  
Dielectric Withstanding Voltage: 500V AC  
Insulation Resistance: >500MΩ/Min  
Contact Resistance: 35mΩ/Max  
Operation Temperature: -55°C ~ +105°C



HPC-SRX-026-LF  
LEADFREE  
RoHS Compliant



PCB Layout



PART NO. HPC-SRX-026	CHECKED BY CY	TOLERANCES ARE .X ± 0.2 .XX ± .XXX ± AWG	DESCRIP TION: 1.27mm (.050") Ribbon 26Pos Receptacles Headers Right-Angle Mount Type	AREA	REVISIONS	HK	DATE
DWG NO. HPC-SRX-026	DRAWING BY	PROJECTION					
UNIT / mm	SCALE 1:1						

煜倫股份有限公司