

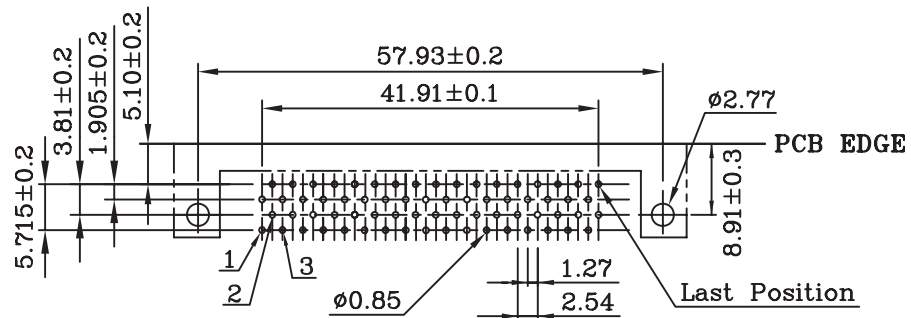
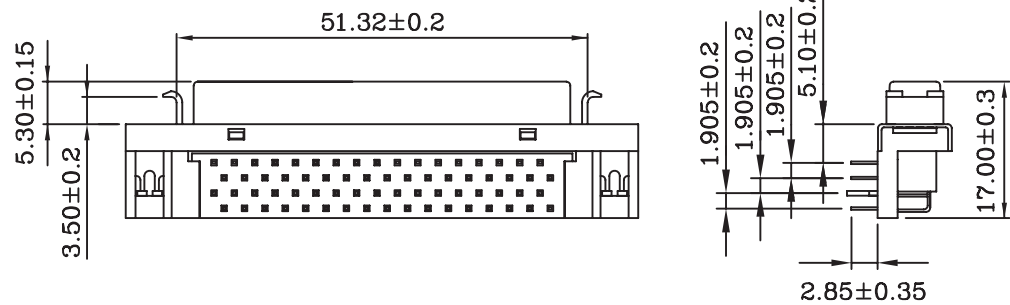
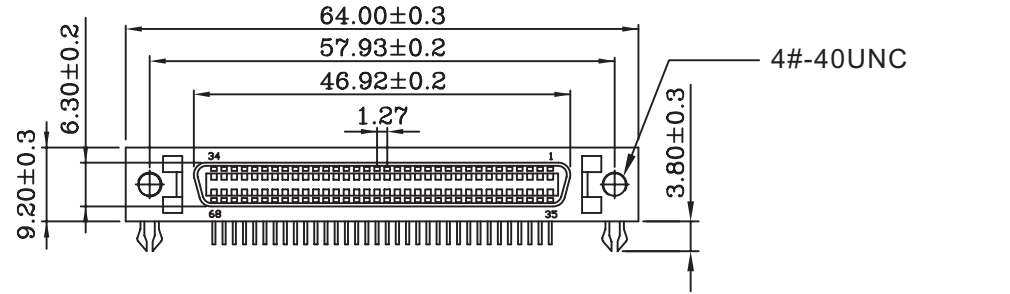
• **MATERIALS:(RoHS Compliant)**

Housing And Cover: Plastic Thermoplastic
P.B.T UL94V-0 Black
Contacts: Phosphor Bronze Gold
Selective Plated
Front Shell: Steel Nickel Plated
Over Copper
Bracket: Steel Nickel Plated
Over Copper
Boardlock: Brass Tin Plated
Over Copper

• **ELECTRICAL CHARACTERISTICS:**

Contact Current Rating: 1 Amp
Dielectric Withstanding Voltage: 500V AC
Insulation Resistance: >500MΩ/Min
Contact Resistance: 35mΩ/Max
Operation Temperature: -55°C ~ +105°C

HPC-SRL440S15-068-LF
LEADFREE
S15:SEMI/GOLD/15u"
RoHS Compliant



PCB Layout



PART NO.HPC-SRL440S15-068

DWG NO. HPC-SRL440S15-068

FILE NO.

CHECKED BY CY

DRAWING BY

TOLERANCES ARE

.X ± 0.2
.XX ±
.XXX ±
AWG

DESCRIPTION:

煜倫股份有限公司

UNIT / mm

SCALE 1:1

PROJECTION



AREA

REVISIONS

HK

DATE