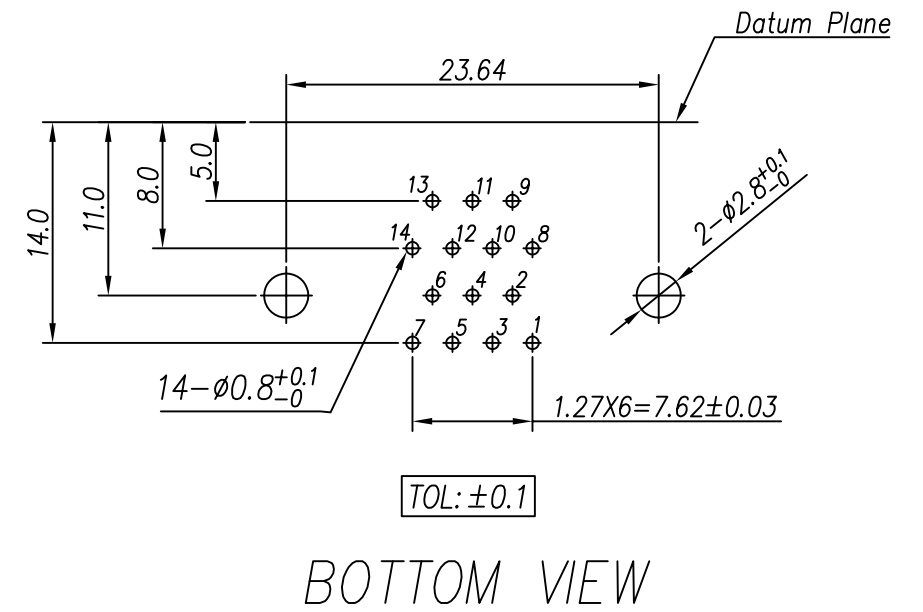
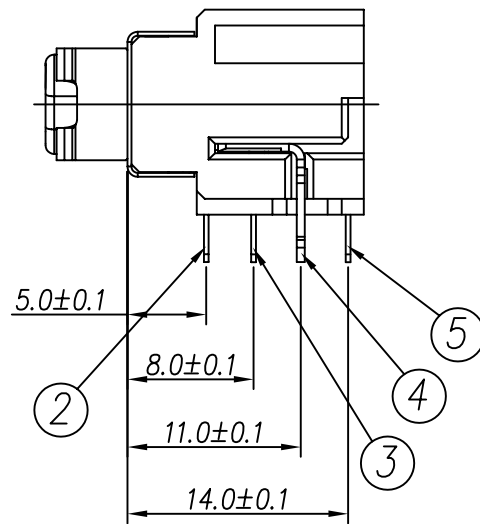
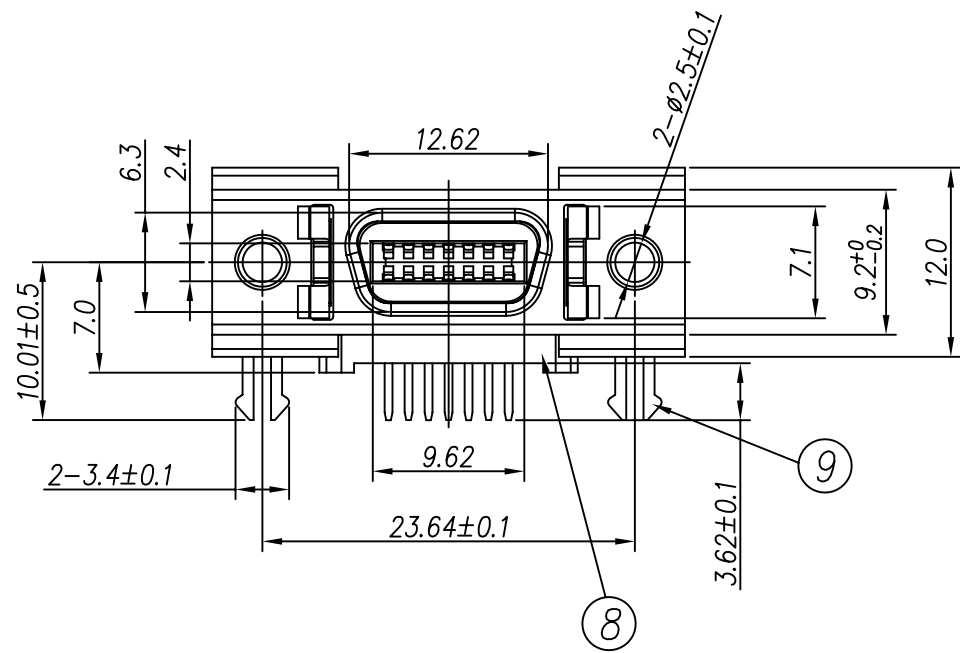


9	Earth Terminal	0101-95-IXTc	2	SPCC	Sn-Cu: 3~4 μm	t=0.5
8	Base	0101-09-aXB	1	P.B.T	BLACK	94V-0(RoHS Fit)
7	Foot	0103-8h-IXN	2	SPCC	Ni: 3~4 μm	t=1.0
6	Iron Shell	0101-11-hXN	1	SPCE	Ni: 3~4 μm	----
5	No.4 PIN	0101-A4-dXG	1	C5191R-H	Ni: 3~4 μm	t=0.2
4	No.3 PIN	0101-A3-dXG	1	C5191R-H	Ni: 3~4 μm	t=0.2
3	No.2 PIN	0101-A2-dXG	1	C5191R-H	Ni: 3~4 μm	t=0.2
2	No.1 PIN	0101-A1-dXG	1	C5191R-H	Ni: 3~4 μm	t=0.2
1	BODY	0101-01-aXB	1	P.B.T	BLACK	94V-0(RoHS Fit)
NO.	PART NAME	PART NO.	Q'TY	MATERIAL	PLATED / COLOR	REMARK

HPC-SR15LZ-014-LF
LEADFREE
RoHS Compliant



MORETHANALL
CONNECTORS
ASSEMBLIES

PART NO. HPC-SR15LZ-014

DWG NO. HPC-SR15LZ-014

FILE NO.

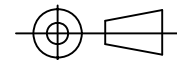
UNIT / mm

SCALE 1:1

CHECKED BY CY

DRAWING BY

PROJECTION



TOLERANCES ARE

.X ± 0.2
.XX ± 0.1
.XXX ±
AWG

DESCRIPTION:

AREA

REVISIONS

HK

DATE

煜倫股份有限公司