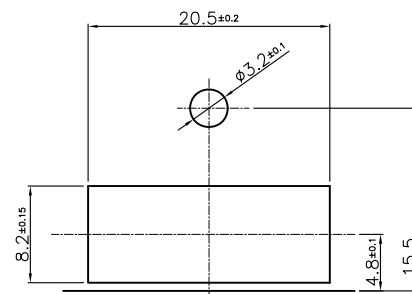
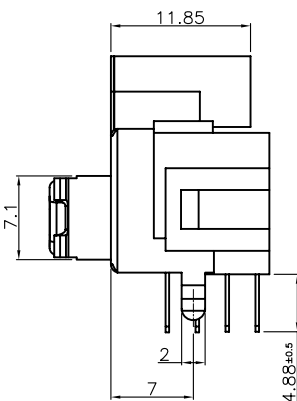
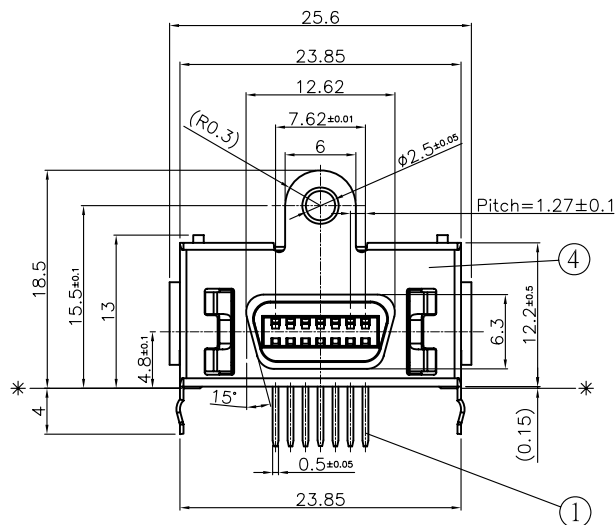
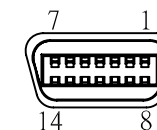


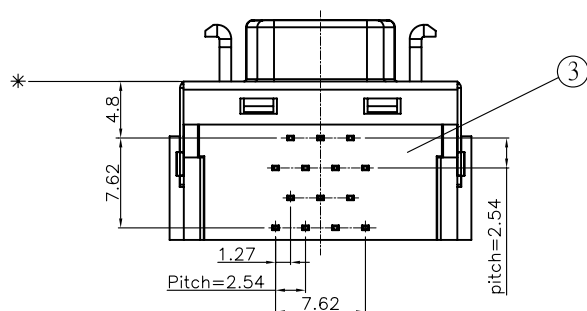
Dimension of PC board holes
 参考取付基板孔寸法圖 t=1.6 (Tolerance:±0.1)
 BOTTOM VIEW



* Dimension of panel holes.
 参考取付背板寸法圖 t=0.8~1.0 *



Contact No. layout
 端子番號配置圖
 Plug insert face



HPC-SR13LN-014-LF
 LEADFREE
 RoHS Compliant

5	HOOK	1	SPCC-SD t=1	NICKEL PLATED
4	OUTER SHELL	1	SPCE-SD t=0.3	NICKEL PLATED
3	TERMINAL GUIDE	1	PBT+15%G.F (Black)	
2	INSULATOR	1	PA9T (Black)	
1	CONTACT	14	C5191R-H t=0.3	TIN3um / Au0.04um UP
NO	PARTS NAME	Q'TY	MATERIAL	FINISH

MORETHANALL
 CONNECTORS
 ASSEMBLIES

PART NO. HPC-SR13LN-014

DWG NO. HPC-SR13LN-014

FILE NO.

UNIT / mm

SCALE 1:1

CHECKED BY CY

DRAWING BY

PROJECTION

TOLERANCES ARE

.X ± 0.2
 .XX ± 0.1
 .XXX ±
 AWG

DESCRIPTION: D CONNECTOR

AREA

REVISIONS

HK

DATE

焜倫股份有限公司