

• MATERIALS:(RoHS Compliant)

Housing: Plastic Thermoplastic
P.B.T UL94V-0 Black

Contacts: Phosphor Bronze Gold
Selective Plated

Front Shell: Steel Nickel Plated
Over Copper

Bracket: Zinc Alloy, Nickel Plated
Over Copper

• ELECTRICAL CHARACTERISTICS:

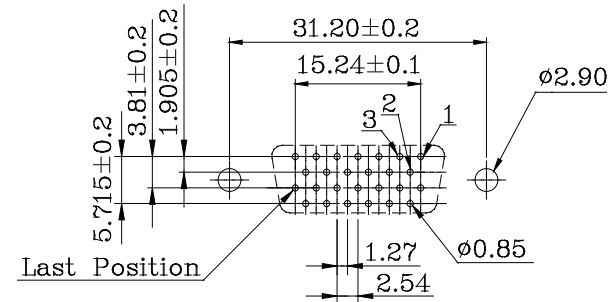
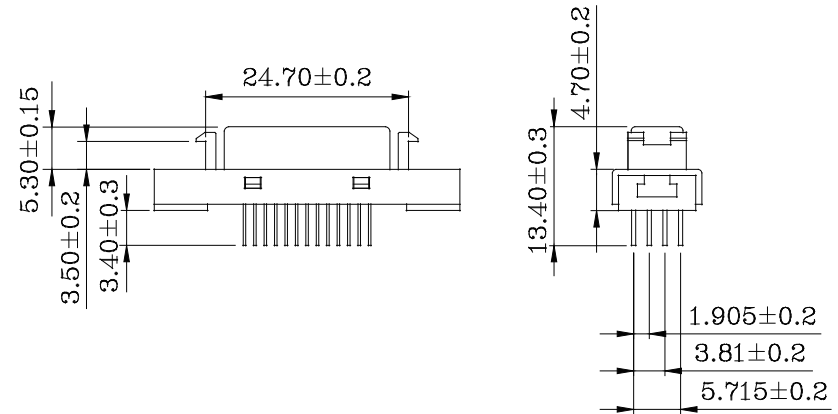
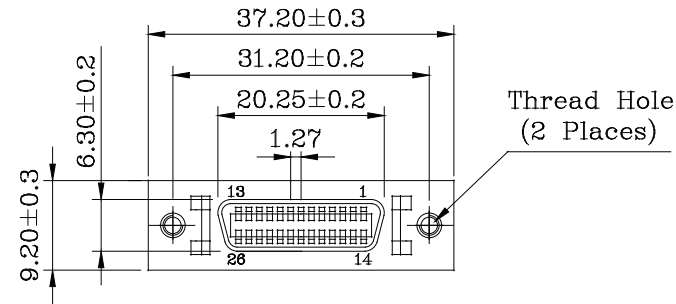
Contact Current Rating: 1 Amp

Dielectric Withstanding Voltage: 500V AC

Insulation Resistance: >500MΩ/Min

Contact Resistance: 35mΩ/Max

Operation Temperature: -55°C ~ +105°C



PCB Layout

MORETHANALL
PCB CONNECTORS
Cable ASSEMBLIES

煜倫股份有限公司

www.morethanall.com

RoHS Compliant

DRAWING BY CY

CHECKED BY GENIUS

UNIT/mm

SCALE 1:1

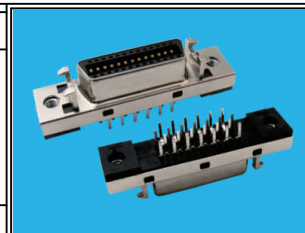
DATE

SIZE A4

TOLERANCES ARE

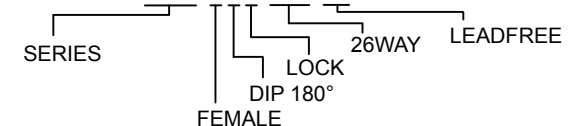
X.±
.X±
.XX±
.XXX±
ANG±

PJECTION



ORDER INFORMATION

HPC-SDL-026-LF



DESCRIPTION: 1.27mm (.050") Ribbon 26Pos
Receptacles Headers Vertical Mount Type