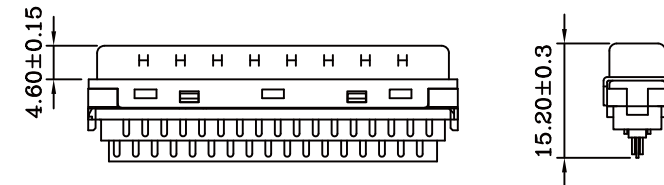
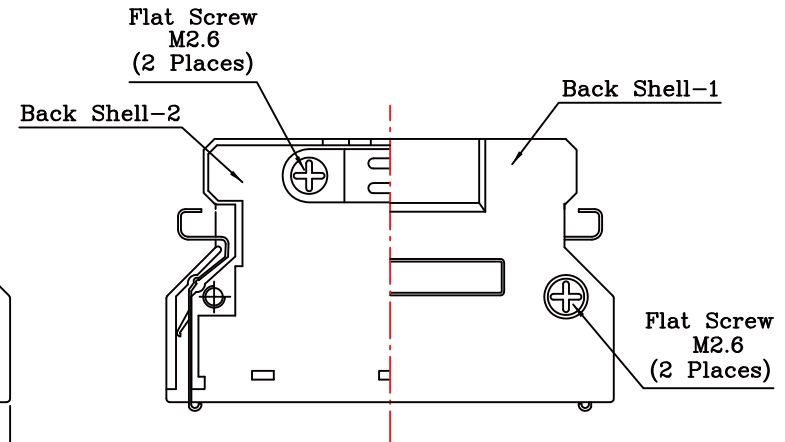
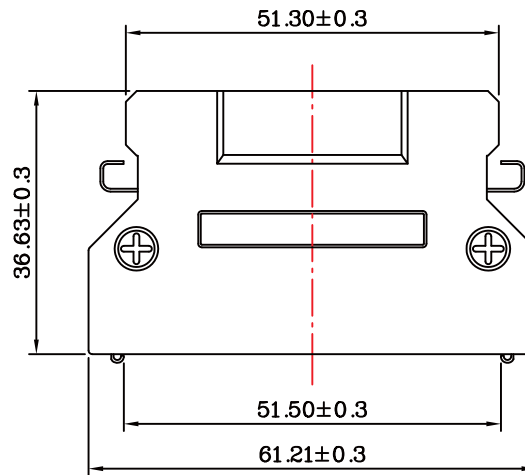
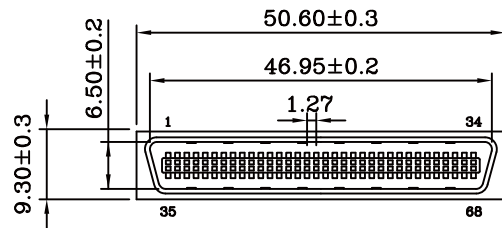
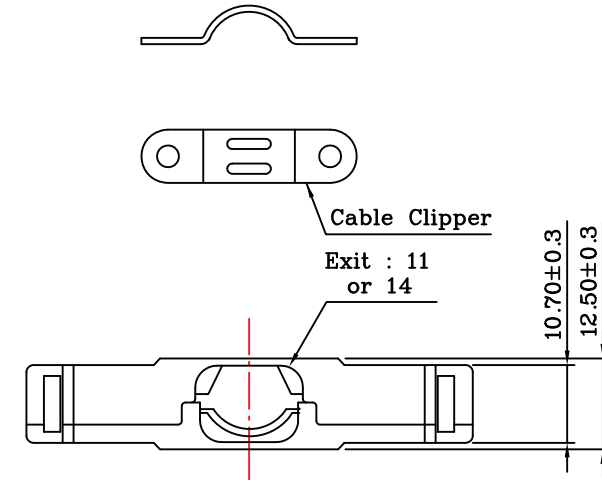
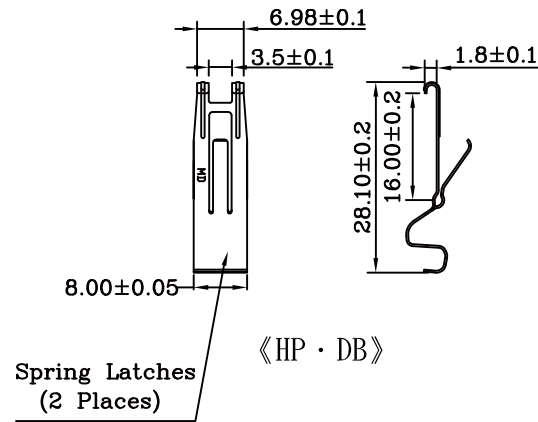


FEATURES:(RoHS Compliant)

- Round cable straight exit
- Strain relief staple with spring latches
- Backshell desing by Die-Cast
- Excellent EMI/RFI protection

MATERIALS:

- Backshell: Zinc plated nickel over copper
- Spring latches: Stainless steel
- Screw: steel nickel plated over copper
- Cable Clipper: steel nickel plated



RoHS Compliant

TOLERANCES ARE

MORETHANALL
PCB CONNECTORS
Cable ASSEMBLIES

DRAWING BY CY

X, ±

CHECKED BY GENIUS

.X ±

UNIT / mm

SCALE 1 : 1

.XXX ±

DATE

ANG ±

煜倫股份有限公司

www.morethanall.com

SIZE A4

PJECTION

照片框

ORDER INFORMATION

HPC-PSW-068-LF
SERIES | LEADFREE
68 WAY
W TYPE COVER
SOLDER
MALE

DESCRIPTION: