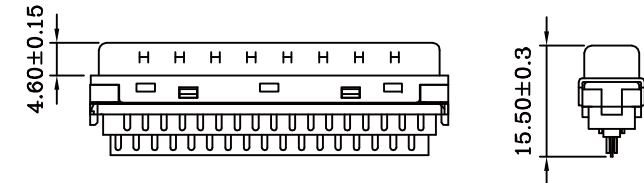
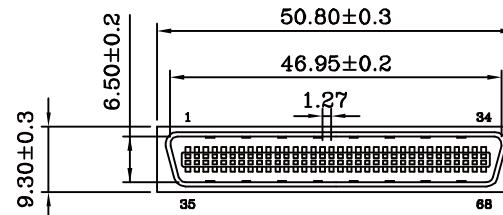
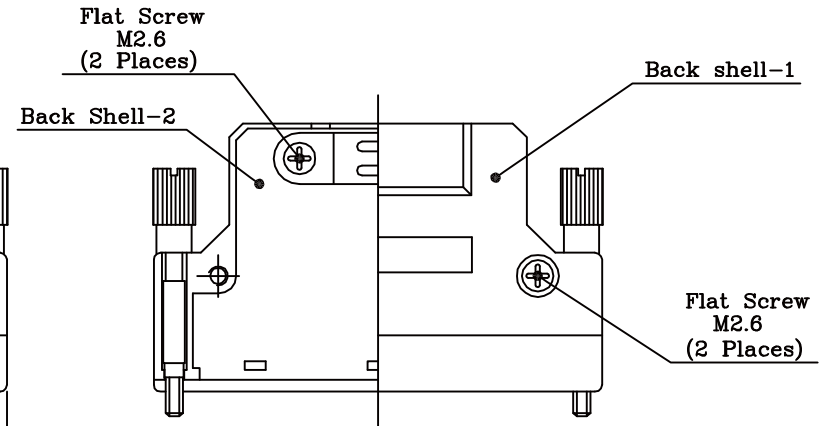
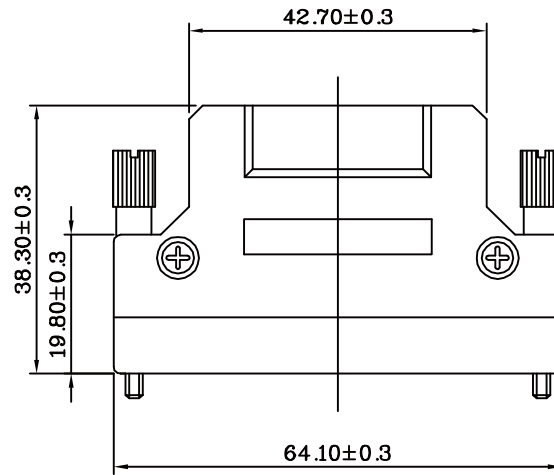
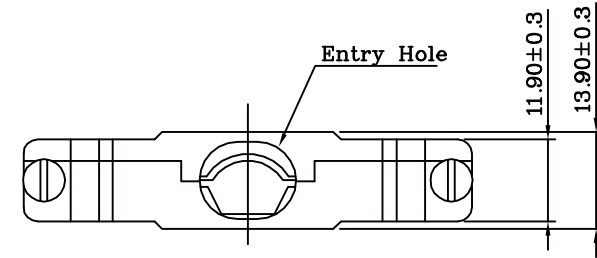
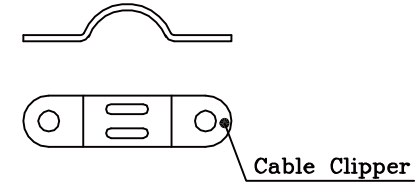
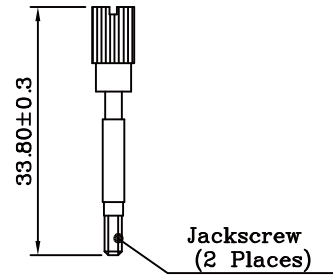


**FEATURES:(RoHS Compliant)**

- Round Cable Straight Exit
- Strain Relief Staple With Jackscrew
- Back Shell Desing By Die-Cast
- Excellent EMI/RFI Protection

**MATERIALS:(RoHS Compliant)**

- Back Shell: Zinc Alloy, Nickel Plated Over Copper
- Jackscrews: Steel, Nickel Plated Over Copper
- Screw: Steel, Nickel Plated Over Copper
- Cable Clipper: Steel, Nickel Plated Over Copper



**RoHS Compliant**

TOLERANCES ARE

**MORETHANALL**  
PCB CONNECTORS  
Cable ASSEMBLIES

DRAWING BY CY

X.±

CHECKED BY GENIUS

.X±

UNIT / mm

SCALE 1 : 1

.XX±

DATE

.XXX±

ANG±

照片框

**ORDER INFORMATION**

HPC-PSM-068-LF  
SERIES | LEADFREE  
68 WAY  
METAL  
SOLDER  
MALE

煜倫股份有限公司

www.morethanall.com

SIZE A4

PJECTION

DESCRIPTION: