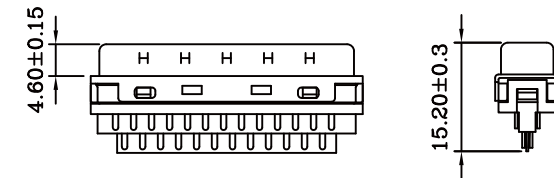
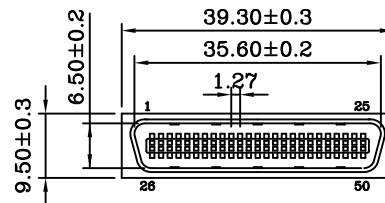
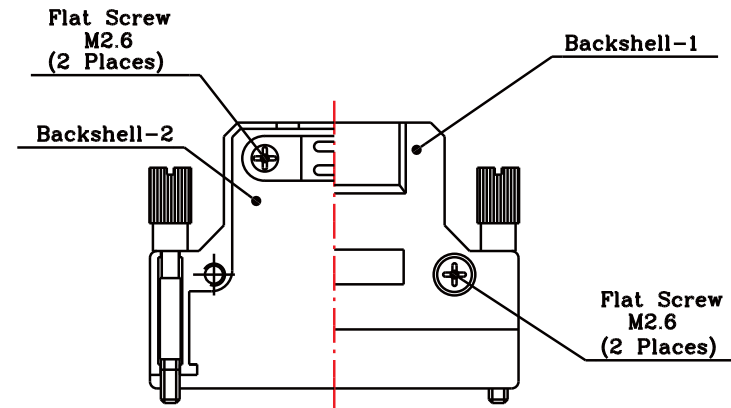
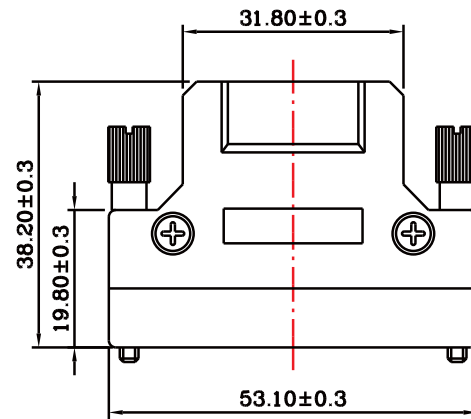
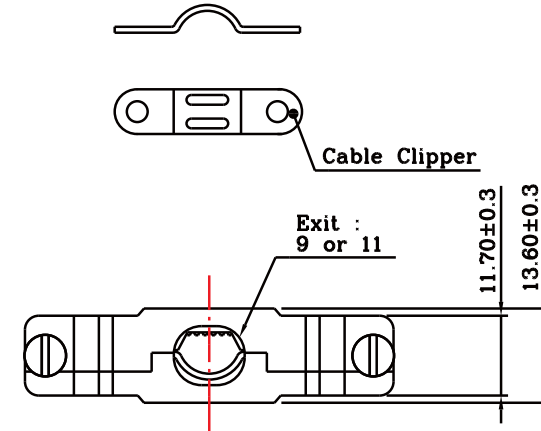
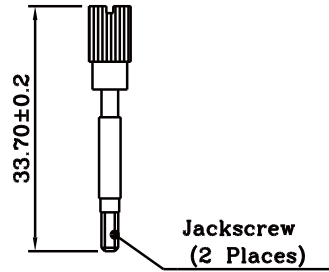


**FEATURES:**

- Round cable straight exit
- Strain Relief Staple With Jackscrew
- Back shell desing by Die-Cast
- Excellent EMI/RFI protection

**MATERIALS:**

- Back Shell: Zinc plated nickel over copper
- Jackscrews: steel nickel plated over copper
- Screw: steel nickel plated over copper
- Cable Clipper: steel nickel plated



**RoHS Compliant**

TOLERANCES ARE

**MORETHANALL**  
PCB CONNECTORS  
Cable ASSEMBLIES

DRAWING BY CY

X, ±

CHECKED BY GENIUS

.X ±

UNIT / mm

SCALE 1 : 1

.XXX ±

DATE

ANG ±

**煜倫股份有限公司**

www.morethanall.com

SIZE A4

PJECTION

照片框

**ORDER INFORMATION**

HPC-PSM-050-LF  
SERIES | LEADFREE  
50 WAY  
METAL  
SOLDER  
MALE

DESCRIPTION: