

FEATURES:

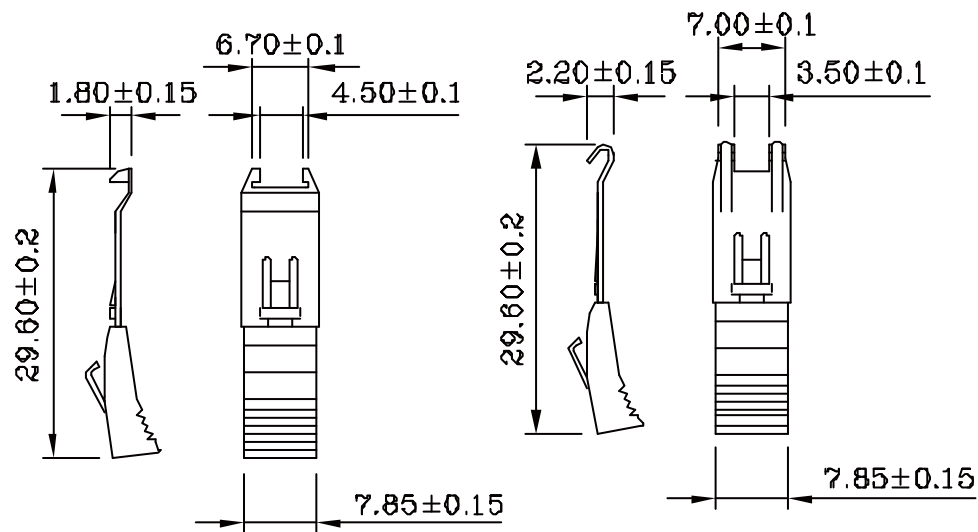
- Half pitch 1.27mm(.050") series
- Centronic male connector solder type for cable
- Assembly hood with ABS plastic steel inner shell or Die-Cast metal
- Fully EMI/RFI shielded

MATERIALS:

- Housing: Thermoplastic P.B.T UL94V-0 black
- Contacts: Phosphor bronze mating end selective gold plated
- Shell: Steel nickel plated over copper

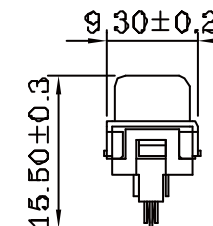
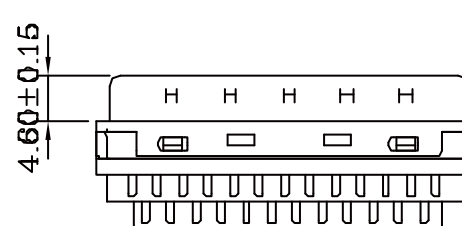
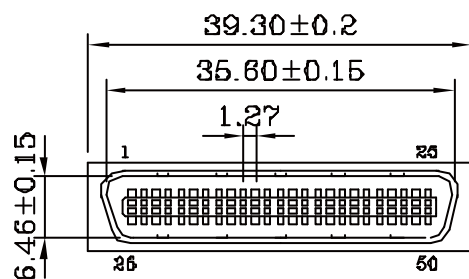
ELECTRICAL:

- Current Rating: 1 Amp
- Insulation Resistance: 500MΩ/Min
- Withstanding Voltage: AC 500V/Min
- Contact Resistance: 35mΩ MAX
- Temperature Range: -55°C ~ +105°C



SS: Flag Hooks

LS: Fish Hooks



RoHS Compliant

TOLERANCES ARE

MORETHANALL
PCB CONNECTORS
Cable ASSEMBLIES

DRAWING BY CY

X.±

CHECKED BY GENIUS

.X±

UNIT / mm

SCALE 1 : 1

.XX±

DATE

.XXX±

ANG±

SIZE A4

PJECTION

照片框

ORDER INFORMATION

HPC-PSL-050-LF
SERIES | LATCH | LEADFREE
| | 50 WAY
| | SOLDER
| | MALE

煜倫股份有限公司

www.morethanall.com

DESCRIPTION: 1.27mm(.050") Pitch Centronic 50P Male Connector Solder Assembly Type