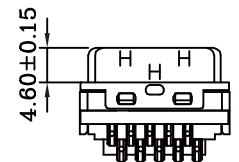
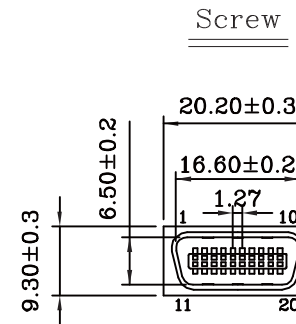
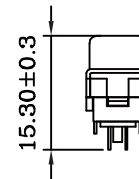
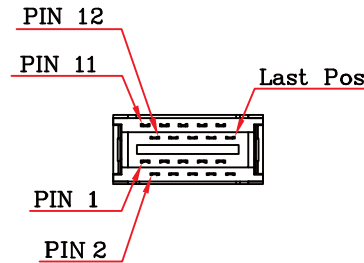
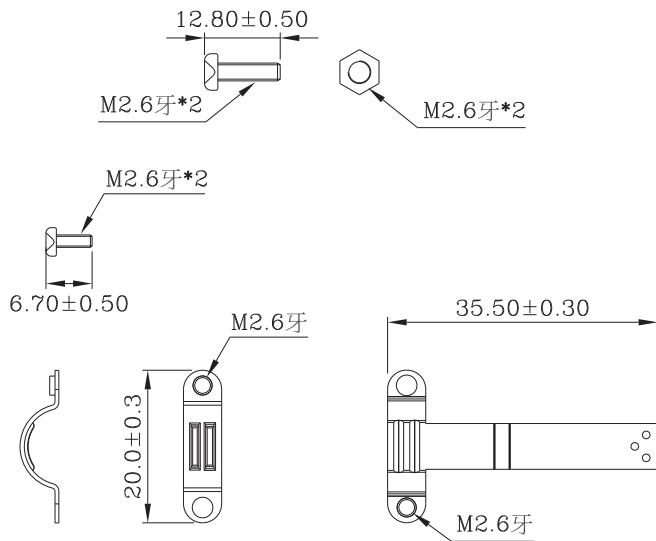
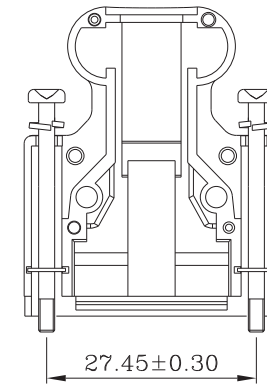
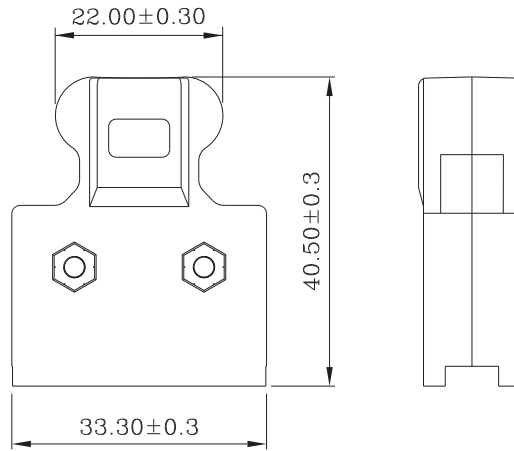
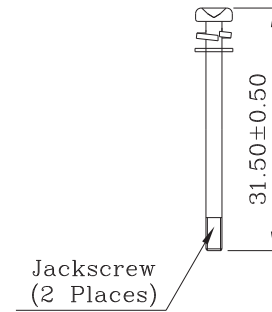
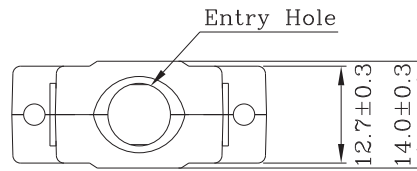


● **MATERIALS: (RoHS Compliant)**

- Hood: Plastic Thermoplastic PBT UL 94V-0
- Latch & Hood: Plastic Thermoplastic PBT UL 94V-0
- Latch: Stainless Steel
- Jackscrews: Steel Nickel Plated Over Copper
- Hex Nuts: Steel Nickel Plated Over Copper
- Cable Clipper: Steel Nickel Plated Over Copper
- Screws: Steel Nickel Plated Over Copper



		RoHS Compliant		TOLERANCES ARE
		DRAWING BY CY	X, ±	<div style="text-align: center; font-size: 2em; opacity: 0.5;">照片框</div>
CHECKED BY GENIUS	.XX ±			
UNIT / mm	SCALE 1 : 1	.XXX ±		
DATE		ANG ±		
SIZE A4	PPOJECTION			



ORDER INFORMATION			
HPC-PSHM-020-LF			
SERIES	LEADFREE	20 WAY	
	MALE SCREW		
	HOOD		
	SOLDER		
	MALE		
DESCRIPTION: 1.27mm(.050") Ribbon 20P Cable Plug Connectoros Solder Assembly Type			