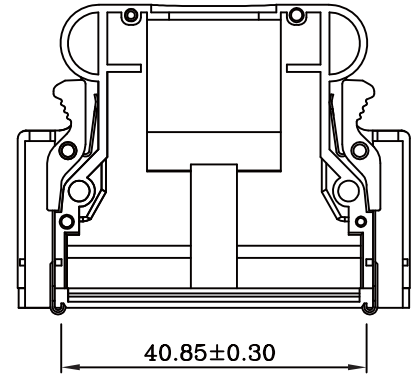
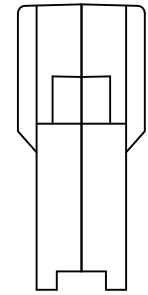
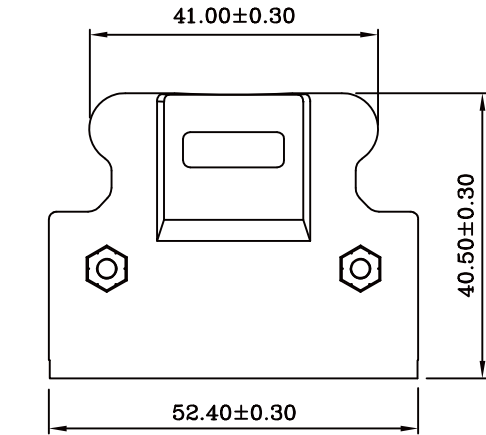
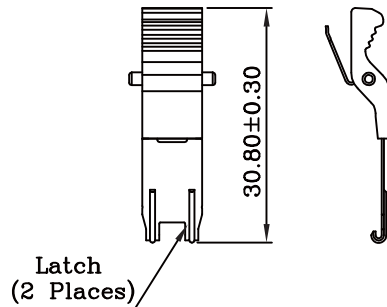
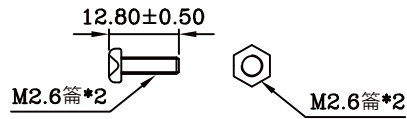
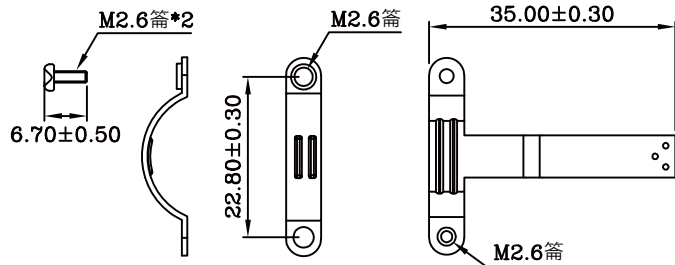
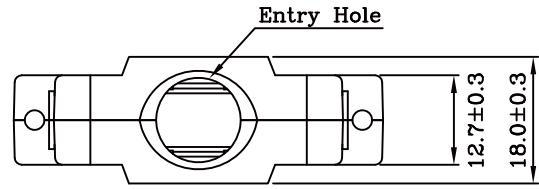
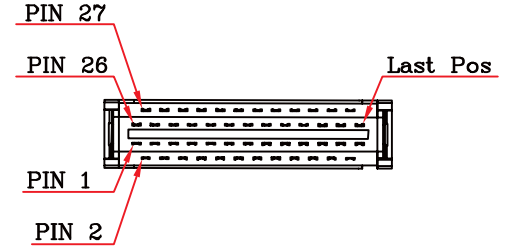
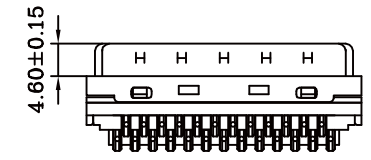
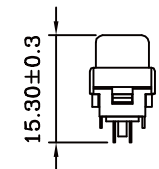
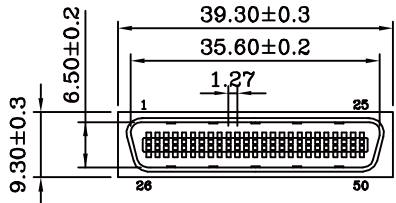


● MATERIALS: (RoHS Compliant)

- Hood: Plastic Thermoplastic PBT UL 94V-0
- Latch & Hood: Plastic Thermoplastic PBT UL 94V-0
- Latch: Stainless Steel
- Jackscrews: Steel Nickel Plated Over Copper
- Hex Nuts: Steel Nickel Plated Over Copper
- Cable Clipper: Steel Nickel Plated Over Copper
- Screws: Steel Nickel Plated Over Copper



Latch



RoHS Compliant

TOLERANCES ARE

MORETHANALL
PCB CONNECTORS
Cable ASSEMBLIES

DRAWING BY CY
CHECKED BY GENIUS
UNIT / mm SCALE 1 : 1
DATE

X. ±
.X ±
.XX ±
.XXX ±
ANG ±

照片框

ORDER INFORMATION

HPC-PSHL-050-LF
6(5,(6) LEADFREE
50 WAY
LATCH
HOOD
SOLDER
MALE

煜倫股份有限公司

www.morethanall.com

SIZE A4 PROJECTION

DESCRIPTION: 1.27mm(.050") 50Pos Hood Straight Exit Split Type