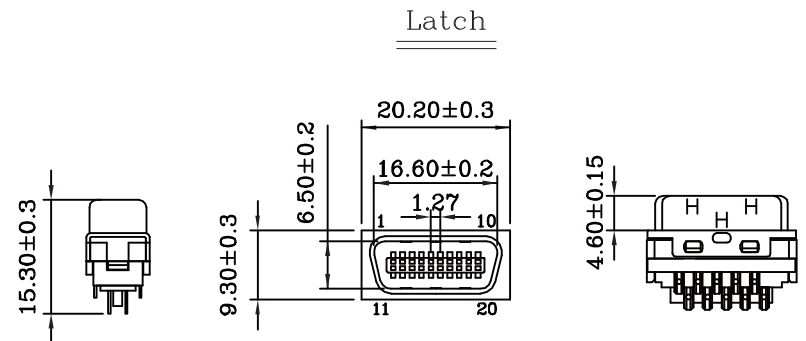
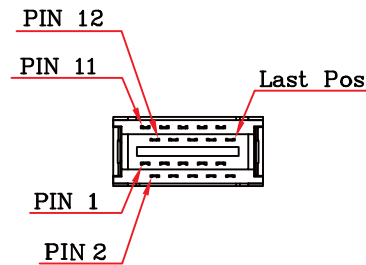
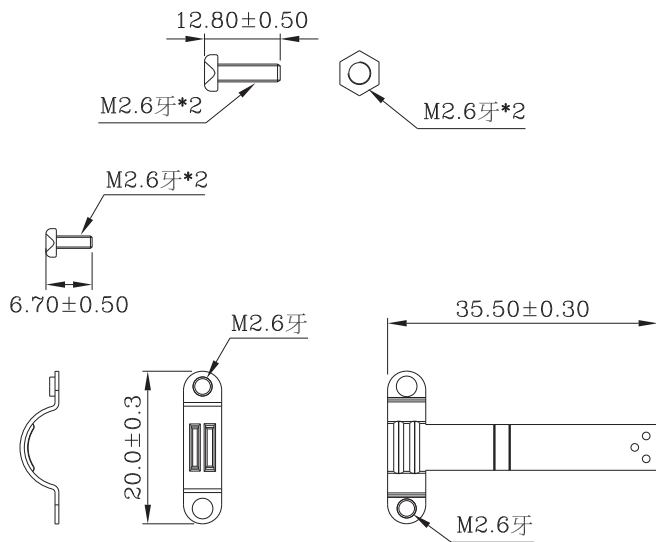
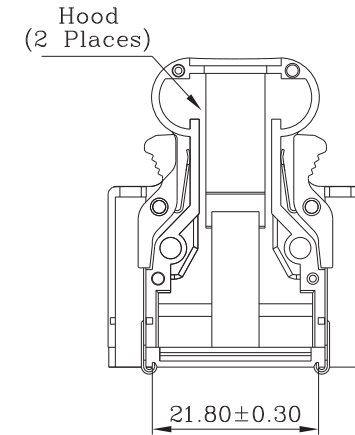
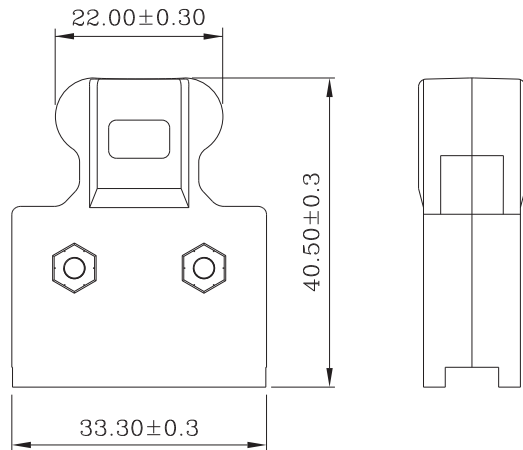
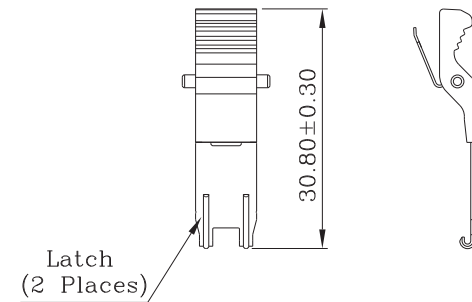
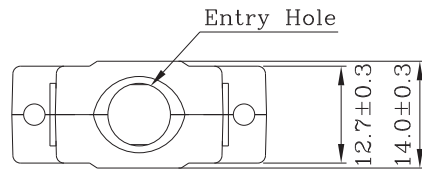


● **MATERIALS: (RoHS Compliant)**

- Hood: Plastic Thermoplastic PBT UL 94V-0
- Latch & Hood: Plastic Thermoplastic PBT UL 94V-0
- Latch: Stainless Steel
- Jackscrews: Steel Nickel Plated Over Copper
- Hex Nuts: Steel Nickel Plated Over Copper
- Cable Clipper: Steel Nickel Plated Over Copper
- Screws: Steel Nickel Plated Over Copper



RoHS Compliant

TOLERANCES ARE

MORETHANALL
PCB CONNECTORS
Cable ASSEMBLIES

DRAWING BY CY

X, ±

CHECKED BY GENIUS

.X, ±

UNIT / mm SCALE 1:1

.XX, ±

DATE

.XXX, ±

SIZE A4 PPROJECTION

ANG, ±

照片框

ORDER INFORMATION

HPC-PSHL-020-LF
SERIES | | | | | LEADFREE
| | | | | 20 WAY
| | | | | LATCH
| | | | | HOOD
| | | | | SOLDER
| | | | | MALE

煜倫股份有限公司

www.morethanall.com

DESCRIPTION: 1.27mm(.050") Ribbon 20P Cable Plug Connectors Solder Assembly Type