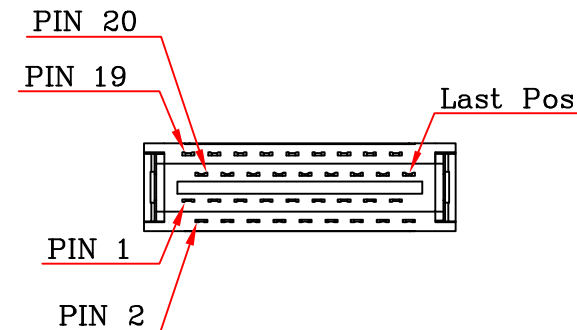
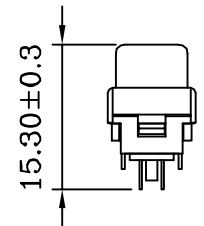
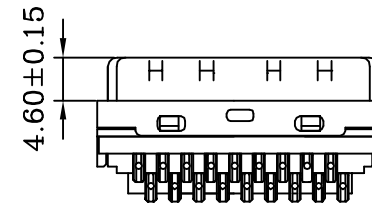
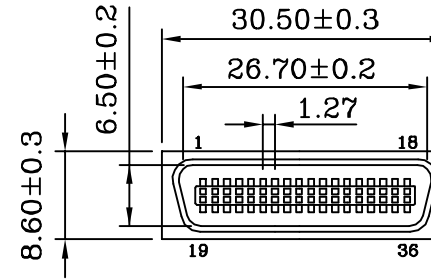


● **MATERIALS: (RoHS Compliant)**

Housing: Plastic Thermoplastic
P.B.T UL94V-0 Black
Contacts: Phosphor Bronze Gold
Selective Plated
Front Shell: Steel Nickel Plated Over Copper

● **ELECTRICAL CHARACTERISTICS:**

Contact Current Rating: 0.5 Amp
Dielectric Withstanding Voltage: 500V AC
Insulation Resistance: >500MΩ/Min
Contact Resistance: 35mΩ/Max
Operation Temperature: -55°C ~ +85°C



RoHS Compliant

TOLERANCES ARE

MORETHANALL
PCB CONNECTORS
Cable ASSEMBLIES

煜倫股份有限公司

www.morethanall.com

DRAWING BY CY

CHECKED BY GENIUS

UNIT / mm SCALE 1 : 1

DATE

SIZE A4 PPROJECTION

X. ±
.X ±
.XX ±
.XXX ±
ANG ±

照片框

ORDER INFORMATION

HPC-PS-036-LF
SERIES | LEADFREE
36 WAY
SOLDER
MALE

DESCRIPTION: 1.27mm(.050") Pitch Centronic 36P Male Connector Solder Molded Type