

**FEATURES:**

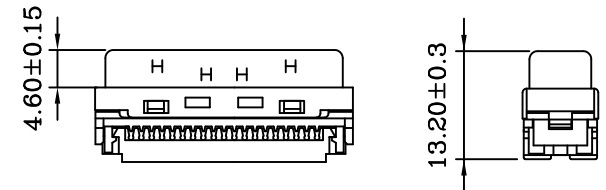
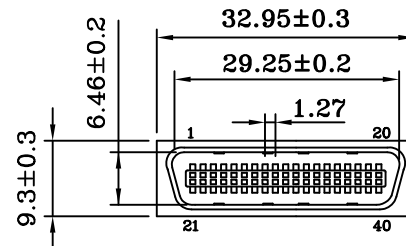
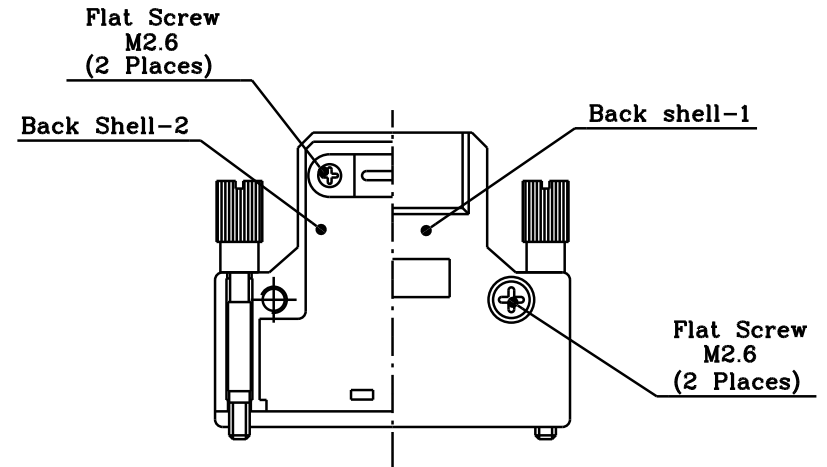
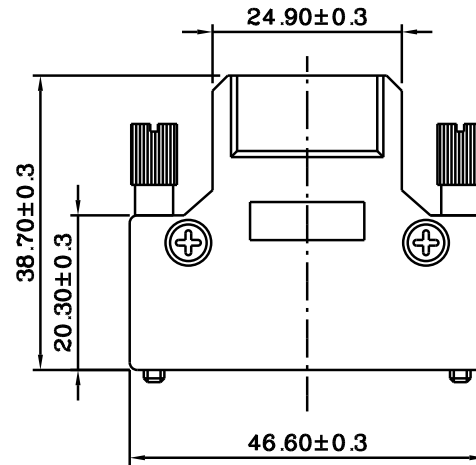
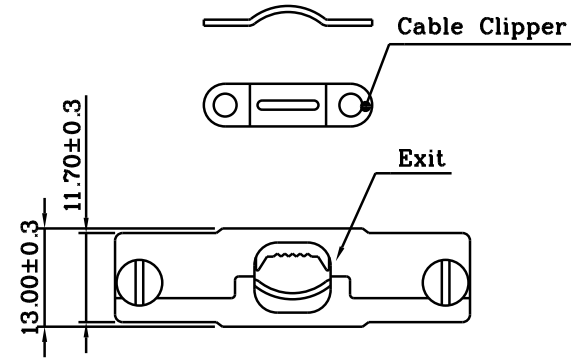
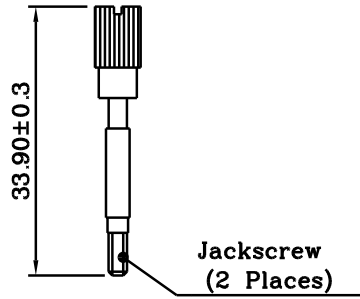
- Round cable straight exit
- Strain relief staple with jackscrew
- Back shell desing by Die-Cast
- Excellent EMI/RFI protection

**MATERIALS:**

- Back Shell: Zinc plated nickel over copper
- Jackscrew: steel nickel plated over copper
- Screw: steel nickel plated over copper
- Cable Clipper: steel nickel plated

HPC-PFM-040-LF  
LEADFREE

RoHS Compliant



	PART NO. HPC-PFM-040		TOLERANCES ARE .X ± 0.2 .XX ± .XXX ± AWG	DESCRIPTION:				
	DWG NO. HPC-PFM-040							CHECKED BY CY
焯倫股份有限公司	FILE NO.		DRAWING BY		AREA	REVISIONS	HK	DATE
	UNIT / mm	SCALE 1:1	PROJECTION					