

FEATURES:

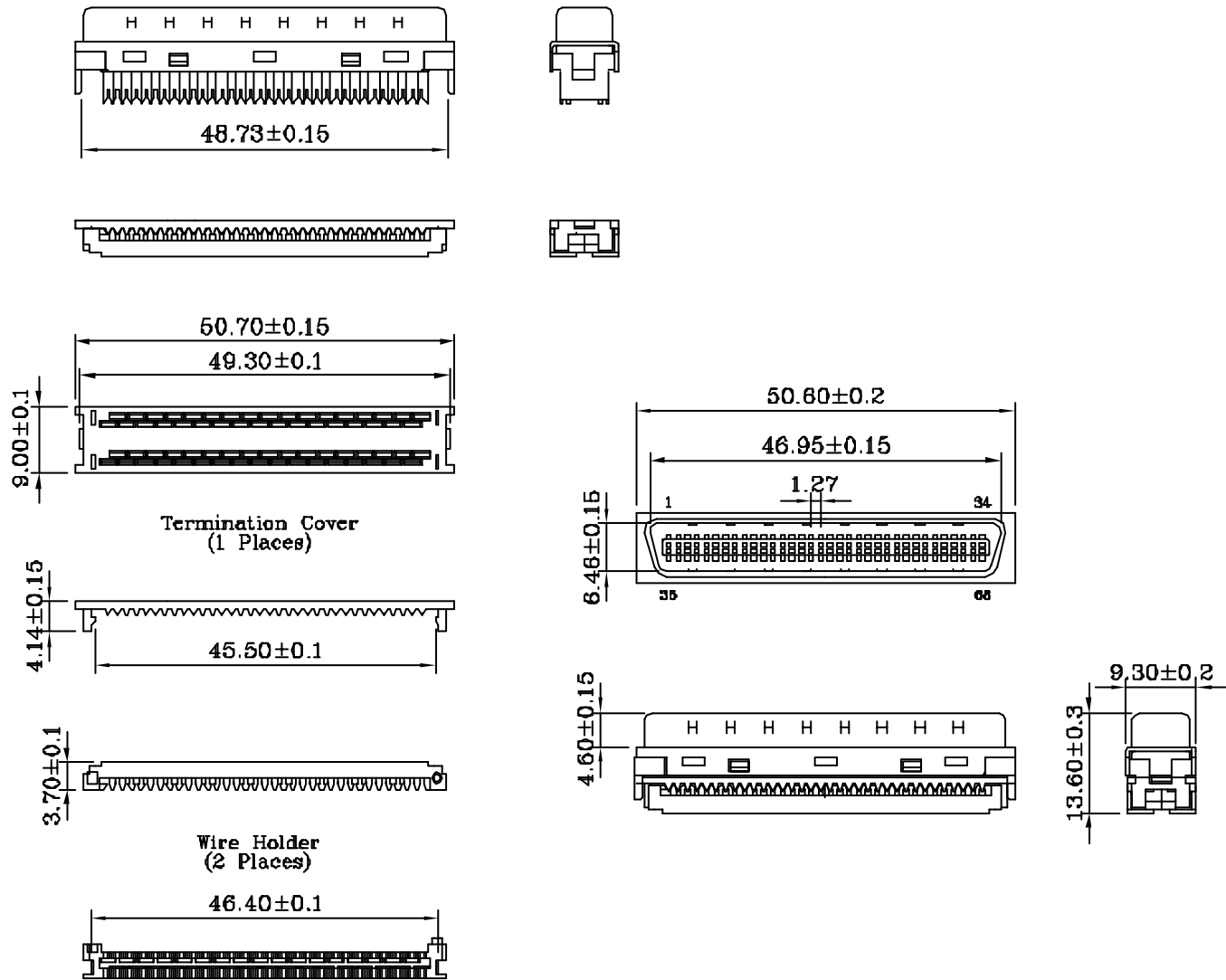
- Half pitch 1.27mm(.050") series
- Centronic male connector I.D.C type for cable
- Assembly hood: Die-Cast
- Fully EMI/RFI shielded

MATERIALS:

- Housing And Cover: Plastic thermoplastic
P.B.T UL94V-0 black
- Contacts: Phosphor bronze gold
selective plated
- Shell: Steel nickel plated over copper

ELECTRICAL:

- Current Rating: 1 Amp
- Insulation Resistance: 500MΩ/Min
- Withstanding Voltage: 500V AC/Min
- Contact Resistance: 35mΩ Max
- Temperature Range: -55°C ~ +105°C



RoHS Compliant

TOLERANCES ARE

MORETHANALL
PCB CONNECTORS
Cable ASSEMBLIES

DRAWING BY CY

CHECKED BY GENIUS

UNIT / mm SCALE 1 : 1

DATE

SIZE A4

X. ±
.X ±
.XX ±
.XXX ±
ANG ±

PPOJECTION

照片框

ORDER INFORMATION

HPC-PF-068-LF
SERIES | LEADFREE
68 WAY
IDC
MALE

DESCRIPTION:

煜倫股份有限公司

www.morethanall.com