

• MATERIALS:(RoHS Compliant)

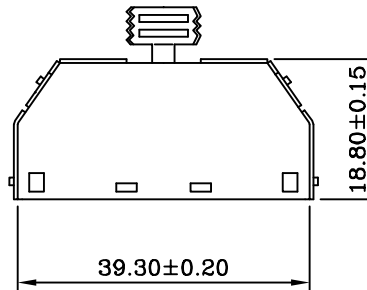
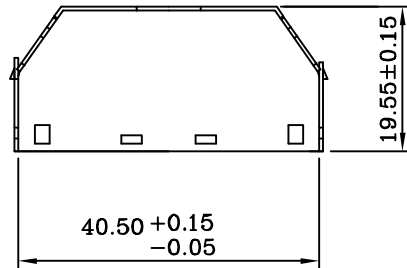
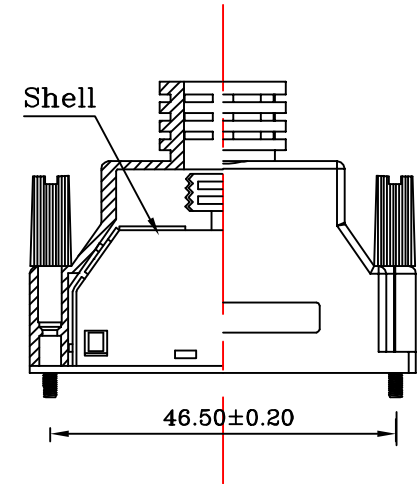
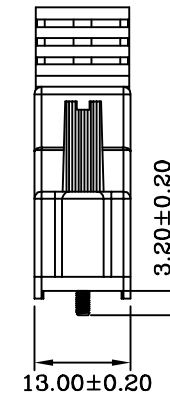
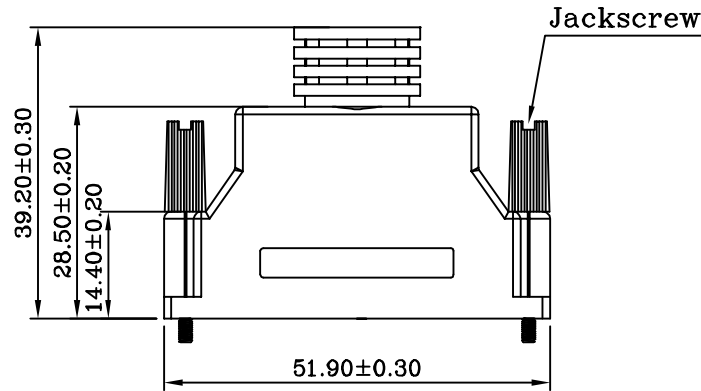
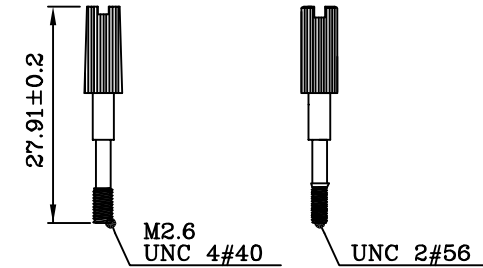
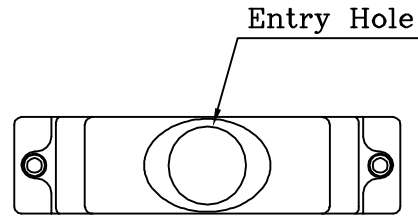
Hood: Plastic Thermoplastic ABS UL 94V-0

Jackscrews: Steel Nickel Plated Over Copper

Jackscrews Hood: PVC

Inner Shell: Steel Nickel Plated Over Copper

ENTRY HOLE SIZES: $\phi 9.0$



RoHS Compliant

TOLERANCES ARE

MORETHANALL
PCB CONNECTORS
Cable ASSEMBLIES

煜倫股份有限公司

www.morethanall.com

DRAWING BY CY

CHECKED BY GENIUS

UNIT / mm

SCALE 1 : 1

DATE

SIZE A4

PJECTION

X.±
.X±
.XX±
.XXX±
ANG±

照片框

ORDER INFORMATION

HPC-MBK-050-LF
SERIES LEADFREE
50 WAY
BLACK COVER

DESCRIPTION: 1.27mm(.050") Series 50Pos Plastic Hood With Jackscrews