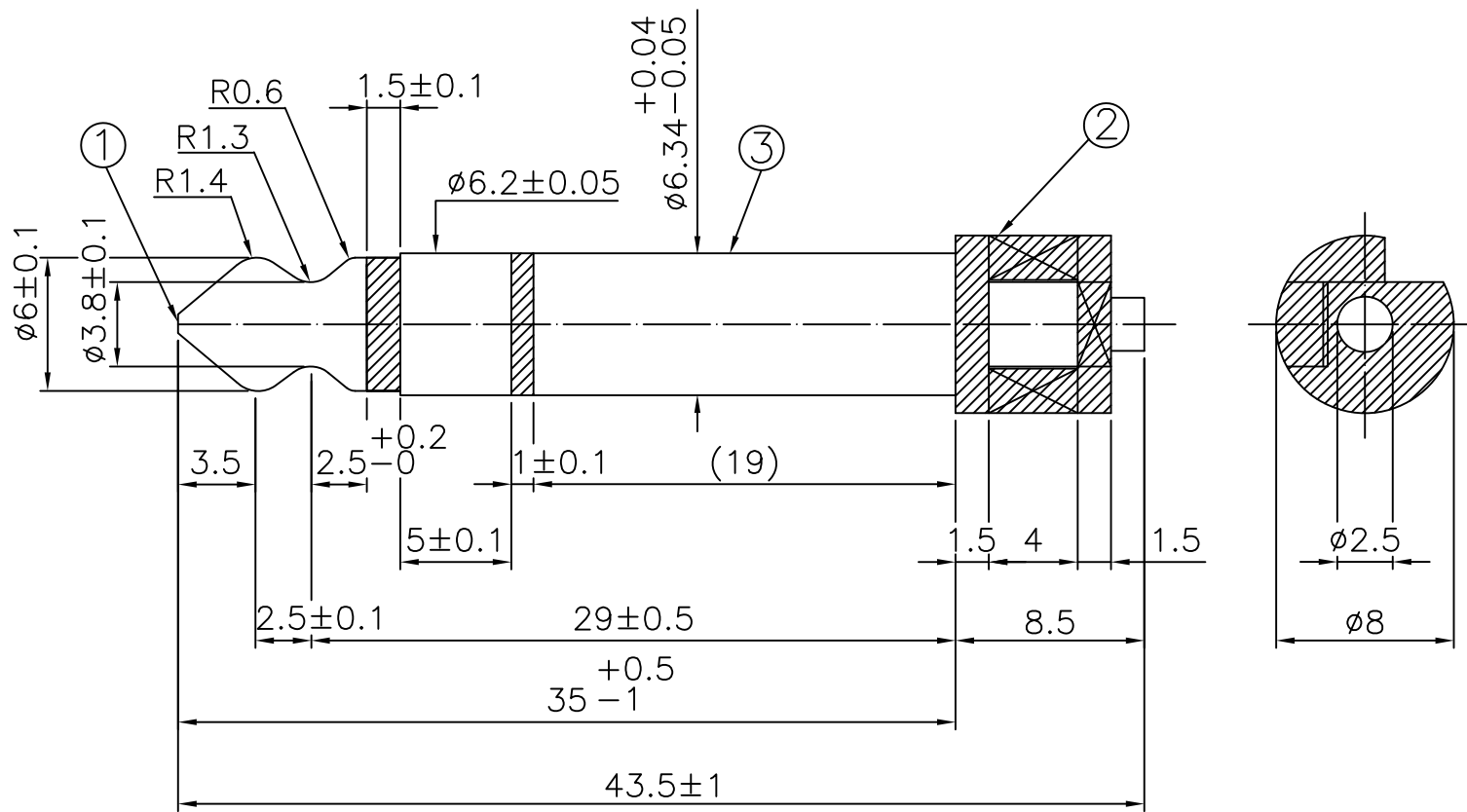


一般公差	
尺寸區分	公差
0>1.0	±0.1
1.0>6.0	±0.2
6.0>12.0	±0.3
12.0>25.0	±0.4
25.0>	±0.5



3	BRASS NICKEL
2	ABS BLACK
1	BRASS NICKEL
NO	CONTENT

RoHS Compliant

TOLERANCES ARE

MORETHANALL
PCB CONNECTORS
Cable ASSEMBLIES

DRAWING BY CY

CHECKED BY GENIUS

UNIT / mm

SCALE 1:1

DATE

SIZE A4

X.±

.X±

.XX±

.XXX±

ANG±

PJECTION

照片框

ORDER INFORMATION

HP-S-03T435-LF

SERIES | LEADFREE
LONG 43.5mm
03WAY
SOLDER

煜倫股份有限公司

www.morethanall.com

DESCRIPTION: 6.3mm STEREO PLUG*43.5L