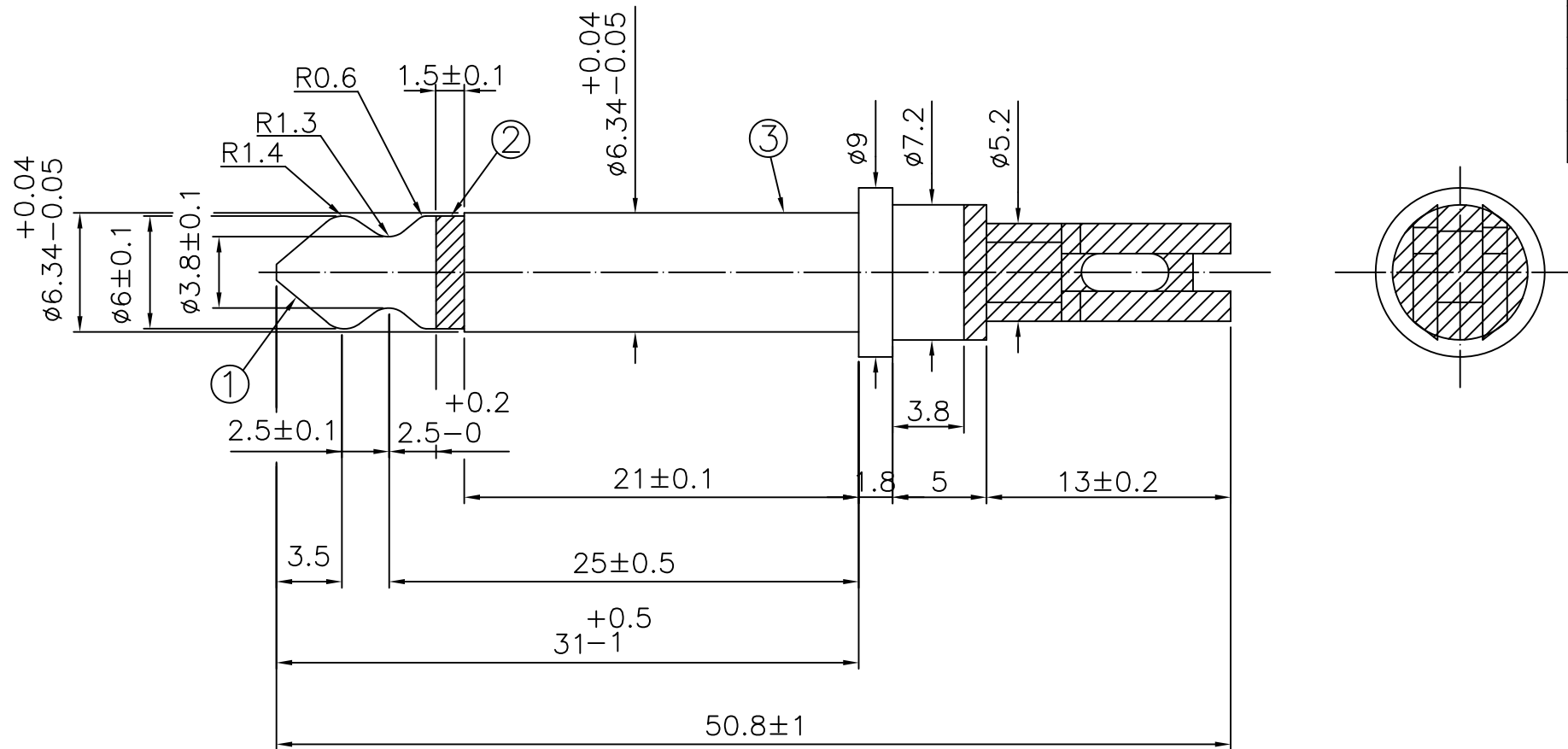


一般公差	
尺寸區分	公差
0>1.0	±0.1
1.0>6.0	±0.2
6.0>12.0	±0.3
12.0>25.0	±0.4
25.0>	±0.5



3	BRASS NICKEL
2	PBT+GF15% BLACK
1	BRASS NICKEL
NO	CONTENT

RoHS Compliant

TOLERANCES ARE

**MORETHANALL**  
PCB CONNECTORS  
Cable ASSEMBLIES

DRAWING BY CY

X.±

CHECKED BY GENIUS

.X±

UNIT / mm

SCALE 1:1

.XX±

DATE

.XXX±

ANG ±

SIZE A4

PJECTION

照片框

ORDER INFORMATION

HP-S-02T508-LF

SERIES | LEADFREE  
LONG 50,8mm  
02WAY  
SOLDER

煜倫股份有限公司

www.morethanall.com

DESCRIPTION: 6.3mm MONO PLUG\*50.8L