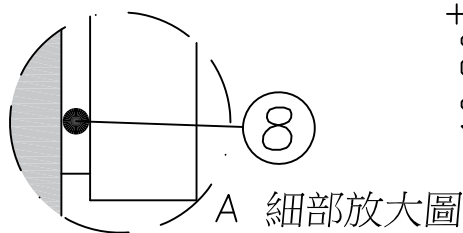


此型號不含晶片



No.	Part Name	QTY	Material	Plated
9	rivet	1	iron	NICKEL
8	Spring	1	iron	NICKEL
7	Shoulder	1	Brass	NICKEL
6	Terminal	1	Brass	NICKEL
5	Terminal	1	Brass	NICKEL
4	Insulator	1	POM/Black	
3	Insulator	2	POM/Black	
2	Sleeve	1	Brass	NICKEL
1	Tip	1	Brass	NICKEL

RoHS Compliant

TOLERANCES ARE

**MORETHANALL**  
PCB CONNECTORS  
Cable ASSEMBLIES

DRAWING BY CY

X. ± 0.15

CHECKED BY GENIUS

.X ± 0.10

UNIT / mm

SCALE 1:1

.XX ± 0.05

DATE

.XXX ±

ANG ±

照片框

ORDER INFORMATION

HP-A-02MS63CP4-LF

SERIES | LEADFREE  
TYPE 4  
CONE POINT  
LONG 63.8mm  
ASSEMBLY | SHORT  
02 WAY | METAL

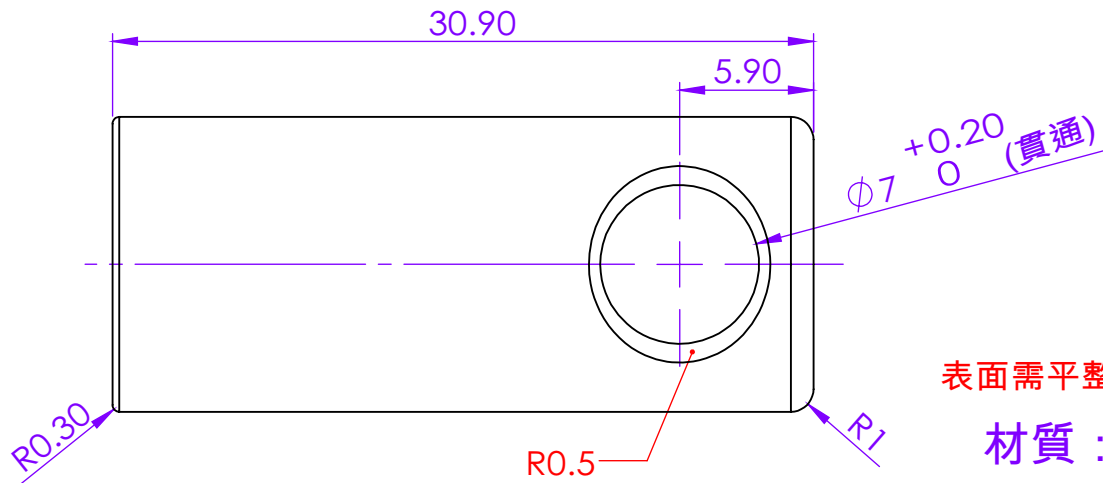
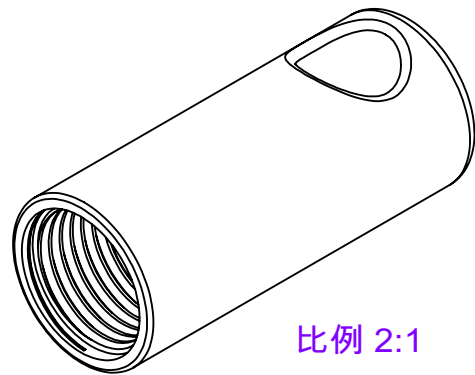
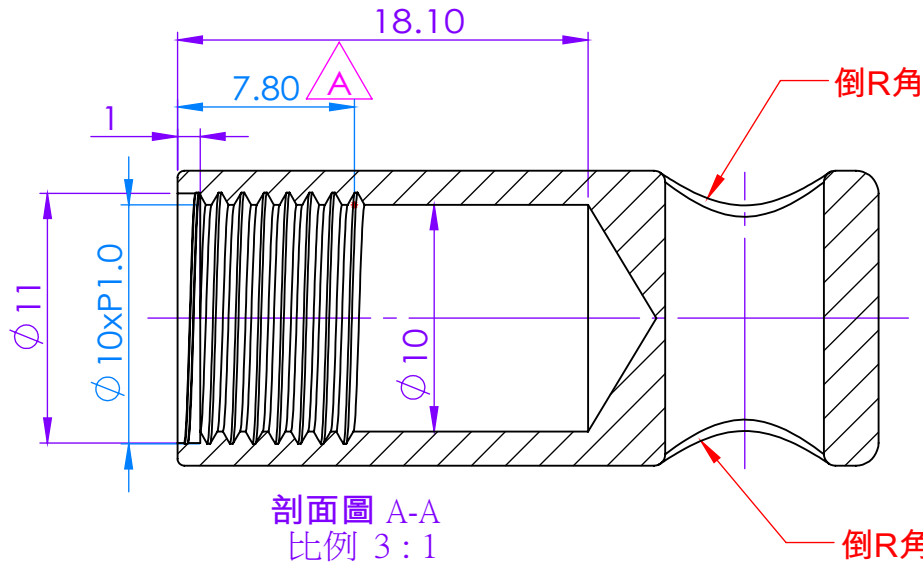
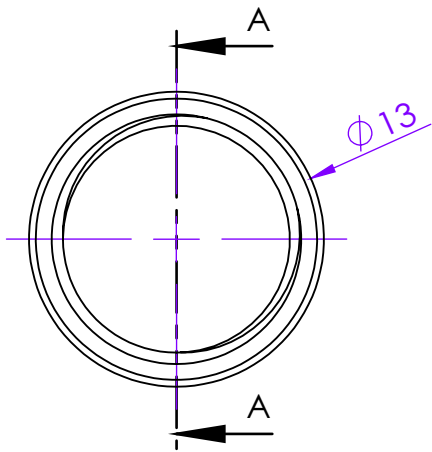
煜倫股份有限公司

www.morethanall.com

SIZE A4

P PROJECTION

DESCRIPTION: 主體



RoHS Compliant

TOLERANCES ARE

**MORETHANALL**  
PCB CONNECTORS  
Cable ASSEMBLIES

DRAWING BY CY

X. ± 0.15

CHECKED BY GENIUS

.X ± 0.10

UNIT / mm

SCALE 1:1

.XX ± 0.05

DATE

.XXX ±

ANG ±

照片框

ORDER INFORMATION

HP-A-02MS63CP4-LF  
SERIES | LEADFREE  
TYPE 4  
CONE POINT  
LONG 63.8mm  
ASSEMBLY | SHORT  
02 WAY | METAL

煜倫股份有限公司

www.morethanall.com

SIZE A4

PPOJECTION

DESCRIPTION: 後蓋