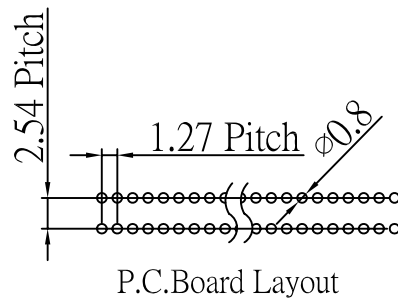
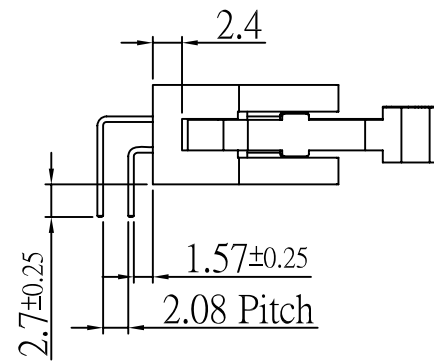
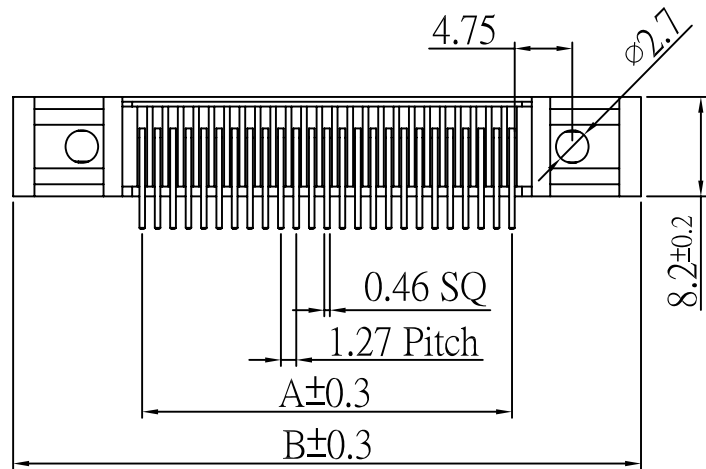


Circuits	Dimension		
	A	B	C
10	5.08	26.15	12.86
16	8.89	29.96	16.67
20	11.43	32.50	19.21
26	15.24	36.31	23.02
30	17.78	38.85	25.56
32	19.05	40.12	26.83
34	20.32	41.39	28.10
40	24.13	45.20	31.91
44	26.67	47.74	34.45
50	30.48	51.55	38.26
52	31.75	52.82	39.53
60	36.83	57.90	44.61
68	41.91	62.98	49.69
70	43.18	64.25	50.96
80	49.53	70.60	57.31
100	62.23	83.30	70.01



Contact:
 Contact: Brass.
 Insulator: PBT.
 Finish: Gold flash plated over nickel.

HL-R2-xxx-LF
 LEADFREE
 010:10WAY
 100:100WAY
 RoHS Compliant

	PART NO. HL-R2-xxx		CHECKED BY CY	TOLERANCES ARE .X ± 0.2 .XX ± .XXX ± ANG	DESCRIP TION: 1.27-2.54 PITCH SHROUDED HEADER Long Level		
	DWG NO. HL-R2-xxx					DRAWING BY	
	FILE NO.		PROJECTION	AREA	REVISIONS	HK	DATE
	UNIT / mm	SCALE 1:1					