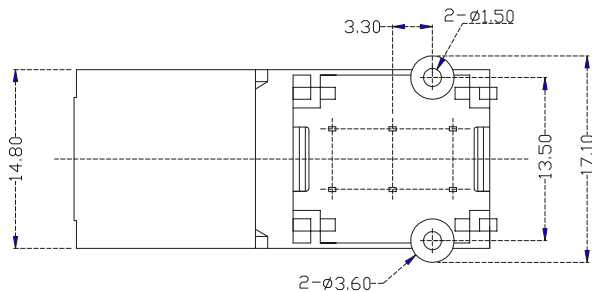
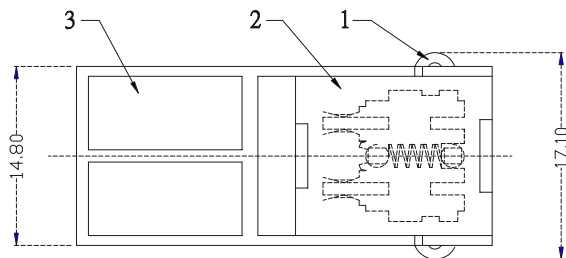
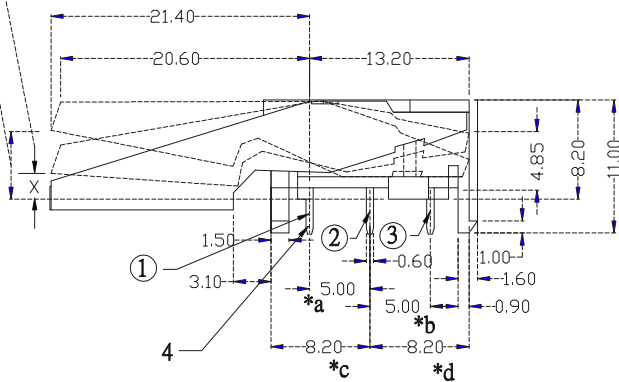
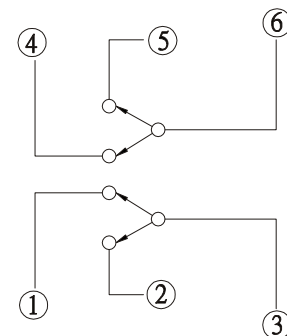
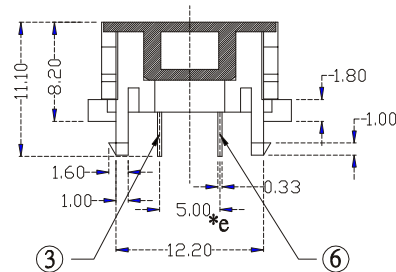
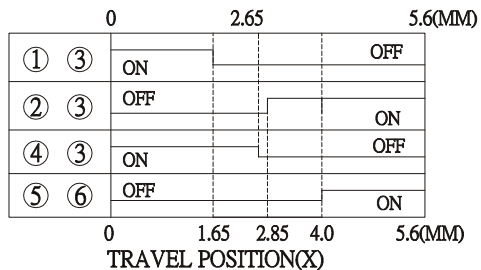


5.60±0.2 TOTAL TRAVEL POSITION

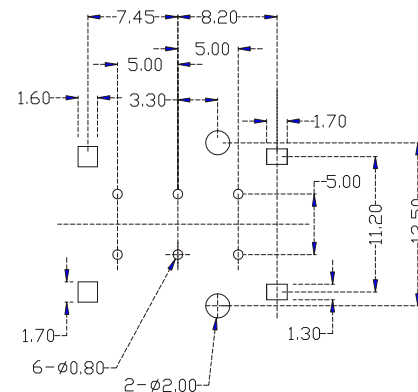
TRAVEL POSITION



TIMING LAG DIAGRAM



SCHEMATIC (NON-SHORTING)



P.C.B LAYOUT

注:"*"表示關鍵尺寸5個

HKSW-R08-06-LF
LEADFREE
RoHS Compliant

7	CONTACT CLIP	PBS C5210R-EH	2	Ag CLAD
6	SLIDER	NYLON+F.G	1	BLACK
5	SPRING	SUS	1	NATURAL
4	TERMINAL	BRASS STRIP/NYLON+F.G	6	Ag PLATED OVER Ni PLATED
3	KNOB	POM	1	WHITE
2	COVER	POM	1	BLUE
1	CASE	NYLON+F.G	1	BLACK
NO	PART NAME	MATERIALS	Q'TY	FINISHING

MORETHANALL
CONNECTORS
ASSEMBLIES

PART NO. HKSW-R08-06

DWG NO. HKSW-R08-06

FILE NO.

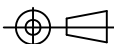
UNIT / mm

SCALE 1:1

CHECKED BY CY

DRAWING BY

PROJECTION



TOLERANCES ARE

.X ±
.XX ±
.XXX ±
AWG

DESCRIPTION: **HOOK SWITCH**

AREA

REVISIONS

HK

DATE

焜倫股份有限公司